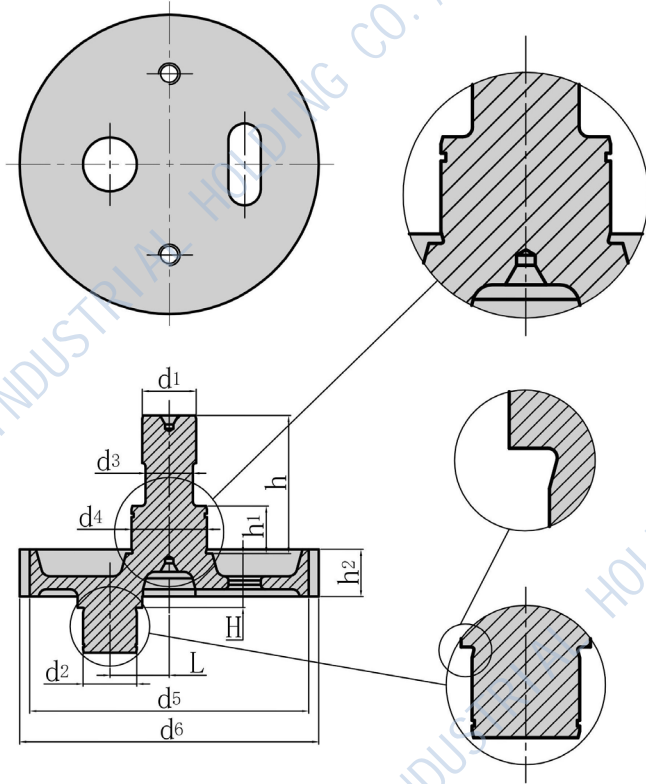


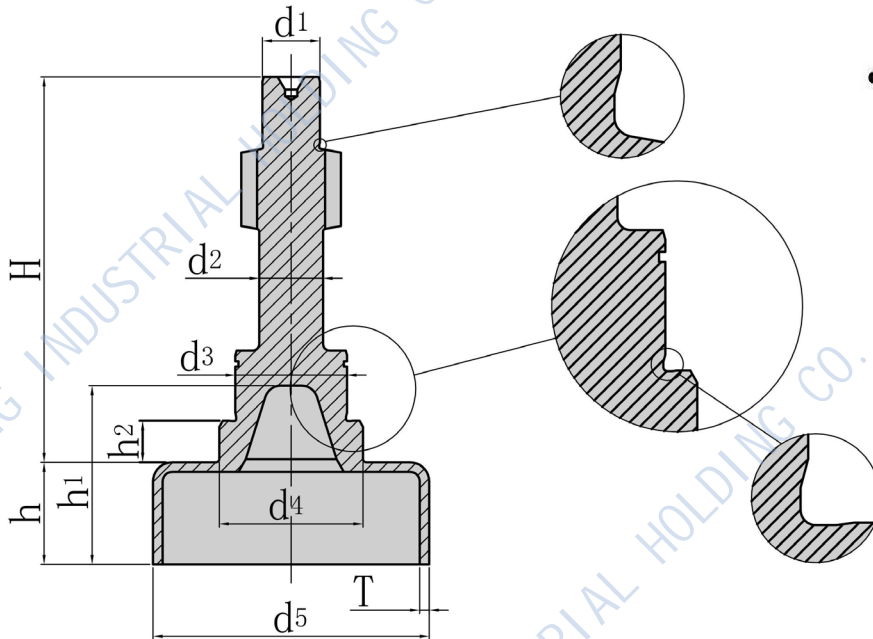
## 3.1 GEAR-(RAMMING MACHINE)



Gear NO.	Number of Teeth	Pressure Angle	Helix Angle	Helix Direction	Root Dia.	Base Circle Dia.	Axis Distancet	Runout
	Z	$\alpha$	$\beta$		mm	mm	mm	Fr
SH0906	63	20°	20°	Right	129.42	125.03	81	0.04

Gear NO.	d1	d2	d3	d4	d5	d6	L	H	h	h1	h2
	mm	mm	mm	mm	mm	mm	mm	mm	mm	mm	mm
SH0906	25.0	25.0	22.0	35.0	129.42	138.7	27.5	25.0	64.0	22.0	22.0

### 3.1 GEAR-(RAMMING MACHINE)



Gear NO.	Number of Teeth	Pressure Angle	Helix Angle	Helix Direction	Root Dia.	Base Circle Dia.	Axis Distancet	Runout
	Z	$\alpha$	$\beta$		mm	mm	mm	Fr
SH1477	12	20°	20°	Left	22.07	23.82	81	0.04

Gear NO.	d1	d2	d3	d4	d5	T	H	h	h1	h2
	mm	mm	mm	mm	mm	mm	mm	mm	mm	mm
SH1477	18.0	20.0	35.0	45.0	86.5	3.0	129.5	32.0	58.0	22.0