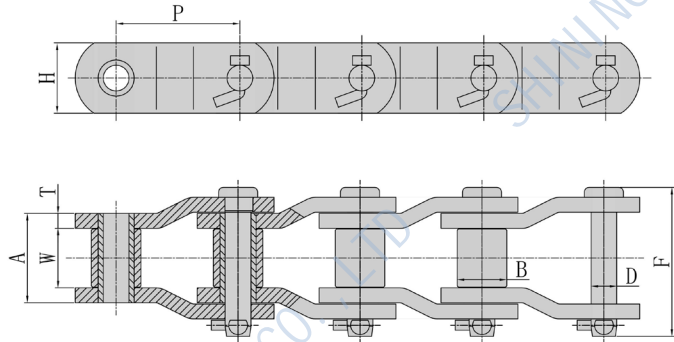


1.1.2 HEAVY DUTY DRIVE CHAIN

All parts of our heavy duty chains are made from high quality steel with heat treatment to ensure the longest life and exceptional performance. Pins and bushings have press fit in the side bars for better fatigue and wear resistance. Pins are thru hardened induction heat treated for best combination of strength, toughness and wear resistance.



Chain No.	P(mm)	H(mm)	T(mm)	Roller(mm)	Pin(mm)	W	A
520	65.10	31.75	6.35	28.70	12.70	1.00	1.56
1578	66.27	25.40	4.83	22.35	11.18	1.06	1.44
LXS882	66.27	28.70	6.35	22.35	11.18	1.06	1.63
50	77.90	57.15	9.65	41.15	19.05	1.56	2.31
50 LR	77.90	57.00	9.70	41.15	19.05	-	-
1030	78.10	38.10	7.87	31.75	16.00	1.44	2.06
R1033	78.10	25.40	7.87	31.75	16.00	1.44	2.06
3075	78.10	44.45	9.65	31.75	16.51	1.50	2.25
B7811	78.10	45.00	9.50	31.75	16.50	-	-
E238R	88.90	57.15	12.70	44.45	22.35	1.50	2.50
100LR	100.00	63.50	12.70	45.21	23.80	1.50	2.50
R1248	103.20	57.15	12.70	44.45	22.35	1.88	2.94
1245	103.45	60.45	14.22	45.21	23.88	1.94	3.06
200	103.45	63.50	12.70	45.21	23.80	-	-
200 LR	103.45	63.50	12.70	45.21	23.80	-	-
4500A	114.30	76.20	14.20	57.15	27.90	2.00	3.13
5031	127.00	88.90	16.00	63.50	31.75	2.75	4.00
H1602A	127.00	88.90	15.88	63.50	31.75	-	-
6060	152.40	114.30	22.00	88.90	47.80	-	-
P=152.4mm	152.40	57.20	9.50	41.28	19.50	-	-
JKBR106C	152.40	50.80	8.00	31.75	15.90	-	-
P=177.8mm	177.80	101.60	19.05	65.00	41.43	-	-
7080	177.80	152.40	22.40	114.30	54.10	3.25	5.00
X1307	177.80	127.00	22.40	88.90	44.45	-	-