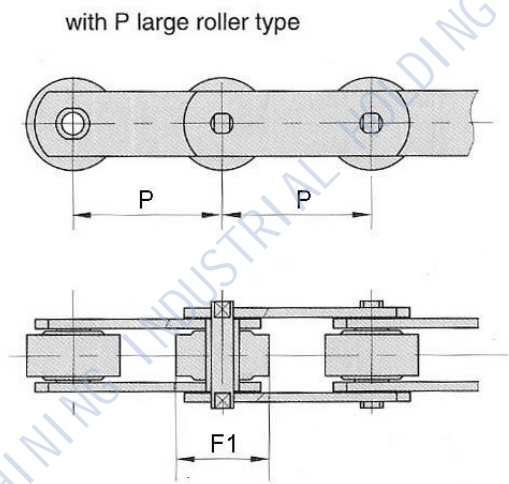
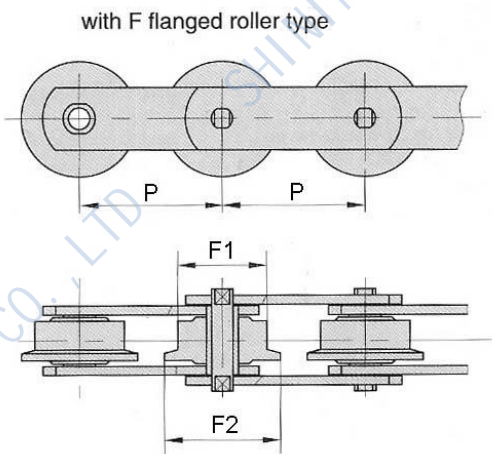
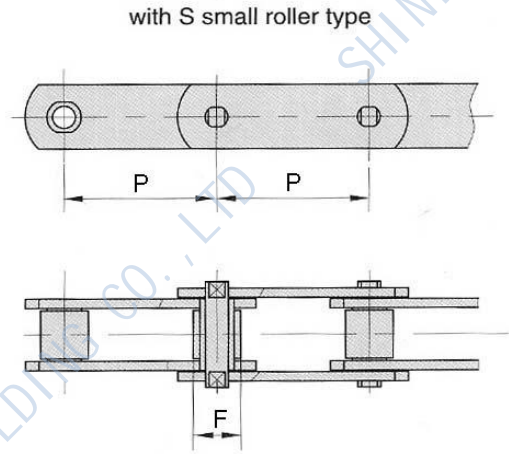
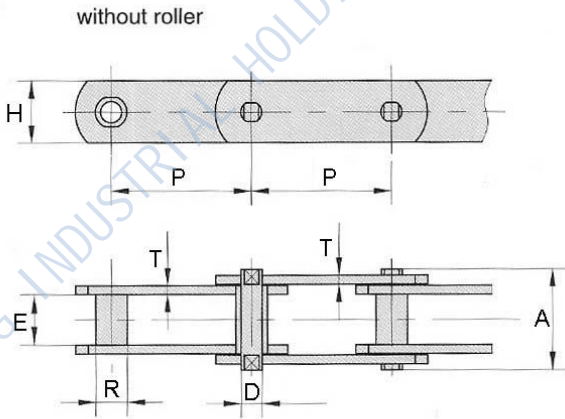


1.1.3 METRIC CHAIN

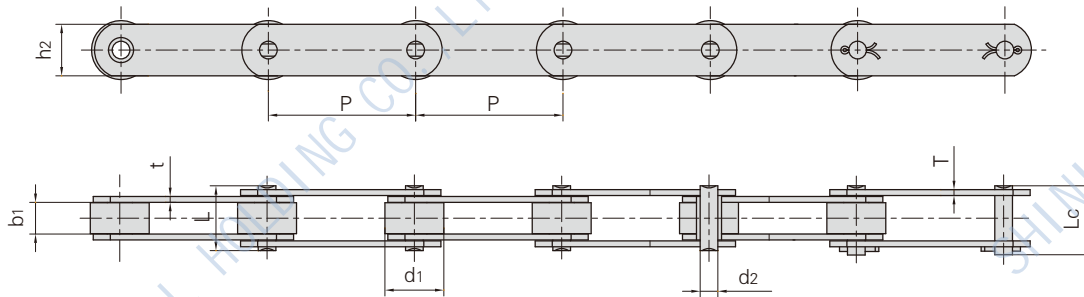


1.1.3 METRIC CHAIN

Chain No.	Pitch								E(mm) min	Sidebar	
	P									T(mm)	H(mm)
										max	max
M20	*40	50.0	63.0	80.0	100.0	125.0	160.0	16.0	2.5	19.0	209
M28	*50	63.0	80.0	100.0	125.0	160.0	200.0	-	18.0	3.0	21.0
M40	63.0	80.0	100.0	125.0	160.0	200.0	250.0	-	20.0	3.5	26.0
M56	*63	80.0	100.0	125.0	160.0	200.0	250.0	-	24.0	4.0	31.0
M80	80.0	100.0	125.0	160.0	200.0	250.0	315.0	-	28.0	5.0	36.0
M112	*80	100.0	125.0	160.0	200.0	250.0	315.0	400.0	32.0	6.0	41.0
M160	*100	125.0	160.0	200.0	250.0	315.0	400.0	500.0	37.0	7.0	51.0
M224	*125	160.0	200.0	250.0	315.0	400.0	500.0	630.0	43.0	8.0	62.0
M315	*160	200.0	250.0	315.0	400.0	500.0	630.0	-	48.0	10.0	72.0
M450	200.0	250.0	315.0	400.0	500.0	630.0	800.0	-	56.0	12.0	82.0

Chain No.	Pin		Barrel	Roller			Min.Ult Strength Q(KN)	Avg.Ult Strength Q0(KN)
	D (mm) max	A(mm) max	R(mm) max	F1(mm) max	F(mm) max	F2(mm) max		
M20	6.0	35.0	9.0	25.0	12.5	32.0	20.0	25.0
M28	7.0	40.0	10.0	30.0	15.0	36.0	28.0	35.0
M40	8.5	45.0	12.5	36.0	18.0	42.0	40.0	50.0
M56	10.0	52.0	15.0	42.0	21.0	50.0	56.0	70.0
M80	12.0	62.0	18.0	50.0	25.0	60.0	80.0	100.0
M112	15.0	73.0	21.0	60.0	30.0	70.0	112.0	140.0
M160	18.0	85.0	25.0	70.0	36.0	85.0	160.0	200.0
M224	21.0	98.0	30.0	85.0	42.0	100.0	224.0	280.0
M315	25.0	112.0	36.0	100.0	50.0	120.0	315.0	393.7
M450	30.0	135.0	42.0	120.0	60.0	140.0	450.0	562.5

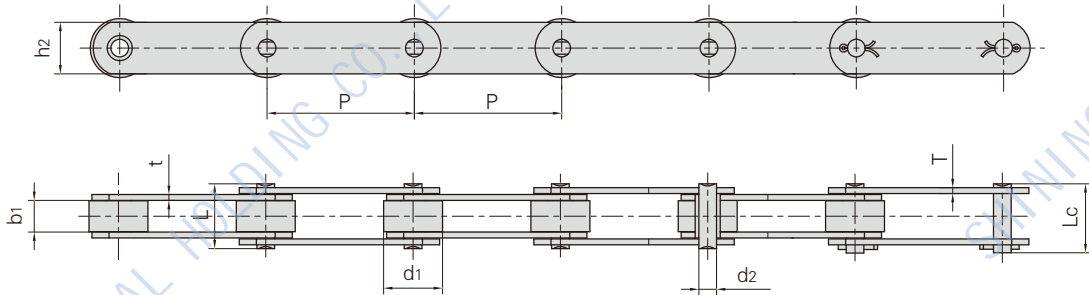
1.1.3 METRIC CHAIN



Chain No.	P	d1 (max)	b1 (min)	d2 (max)	L (max)	Lc (max)	h2 (max)	t/T (max)	Tensile Strength Q (min)	Average Tensile Strength Q0	Weight Per Meter q
	mm	mm	mm	mm	mm	mm	mm	mm	Kn/lbf	Kn	Kg/m
M18F1-P-50	50.0	25.00	11.50	5.72	26.0	28.2	18.0	2.5	18.0/4050	20.0	1.81
M20-PF1-50	50.0	30.00	16.00	6.00	31.0	33.5	18.0	2.5	20.0/4500	22.0	2.60
M22-P-50	50.0	25.00	11.50	8.00	28.0	30.9	20.0	3.0	22.0/4950	24.2	2.64
M22F1-P-50	50.0	25.00	12.00	10.00	29.4	32.6	20.0	3.0	22.0/4950	24.2	2.30
M28F4-S-50	50.0	15.00	17.00	7.00	33.0	36.5	20.0	3.0	28.0/6300	35.0	1.88
M28F5-P-63	63.0	30.00	18.00	7.00	42.0	45.5	25.0	5.0	40.0/9000	50.0	4.23
M28F8-P-80	80.0	25.00	16.00	7.00	33.0	36.2	20.0	3.0	28.0/6294	31.0	1.89
M35F2-S-35	35.0	14.00	14.00	7.00	31.0	34.0	18.0	3.5/2.5	35.0/7874	39.0	1.82
M35F2-P-35	35.0	22.00	14.00	7.00	31.0	34.0	18.0	3.5/2.5	35.0/7874	39.0	2.47
*M35F3-B-35	35.0	14.00	14.00	6.00	30.2	33.0	18.0	3.0	35.0/7874	39.0	1.73
M35F5-P-50.8	50.8	25.00	16.00	7.00	33.0	36.0	20.0	3.0	35.0/7874	39.0	2.48
M35F9-P-50	50.0	25.00	16.00	6.00	30.4	32.7	18.0	2.5	33.0/7425	36.0	2.23
M35F10-P-50	50.0	20.00	16.00	7.00	33.0	36.0	25.0	3.0	35.0/7874	39.0	2.53
M35F11-P-35	35.0	20.00	16.00	7.00	31.0	34.0	18.0	2.5	35.0/7874	39.0	2.22
M40-PF1-100	100	36.00	20.00	8.50	40.5	44.5	25.0	3.5	40.0/9000	44.0	3.28
M40F4-P-50	50.0	31.75	15.00	10.00	36.6	39.0	25.0	4.0	40.0/9000	44.0	4.00
M40F5-S-65	65.0	24.00	15.00	10.00	36.6	39.0	30.0	4.0	40.0/9000	44.0	4.86
M40F6-P-80	80.0	36.00	20.00	8.50	41.0	44.2	25.0	4.0	40.0/9000	44.0	3.68
M40F17-P-50.8	50.8	31.00	15.20	13.35	38.0	42.8	25.0	5/4	53.9/12127	59.2	4.45
M40F22-P-100	100	40.00	32.00	14.00	63.7	69.0	50.0	6.0	195/43838	214.5	10.30
M56-SF1-63	63.0	25.00	24.00	10.00	46.0	49.5	30.0	4.0	56/12600	61.6	2.31
M56-PF1-80	80.0	25.00	24.00	10.00	46.0	49.5	30.0	4.0	56/12600	61.6	3.61
M56F14-S-63	63.0	21.00	24.00	10.00	46.0	49.5	30.0	4.0	56/12600	61.6	3.81
M56F14-S-80	80.0	21.00	24.00	10.00	46.0	49.5	30.0	4.0	56/12600	61.6	3.27
M56F14-P-100	100	42.00	24.00	10.00	46.0	49.5	30.0	4.0	56/12600	61.6	5.00
M56F21-P-100	100	42.00	24.00	12.00	54.7	59.5	30.0	6.0	56/12600	61.6	6.30

*Bush chain: d1 in the table indicates the external diameter of the bush.

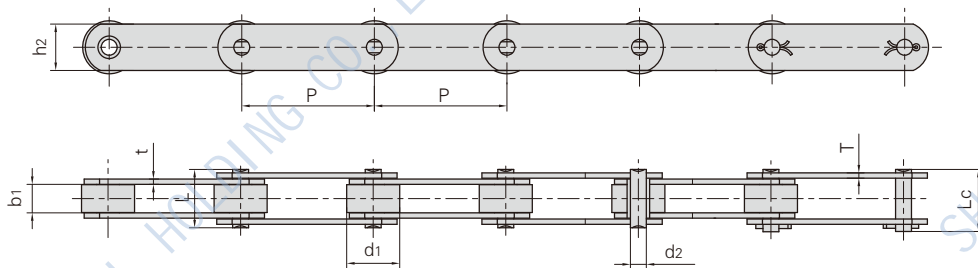
1.1.3 METRIC CHAIN



Chain No.	P	d1 (max)	b1 (min)	d2 (max)	L (max)	Lc (max)	h2 (max)	t/T (max)	Tensile Strength Q (min)	Average Tensile Strength Q0	Weight Per Meter q
	mm	mm	mm	mm	mm	mm	mm	mm	Kn/lbf	Kn	Kg/m
M75-P-75	75	40.00	22.00	12.00	44.0	47.0	35.0	4.0	75/16870	75.0	5.88
M80F3-P-125	125	50.00	28.00	11.00	55.0	58.5	35.0	5.0	80/18000	88.0	6.72
*M80F4-BF1-125	125	25.00	28.00	12.00	55.0	58.5	35.0	5.0	80/18000	88.0	4.27
M80F4-A-100	100	25.00	28.00	12.00	55.0	58.5	35.0	5.0	80/18000	88.0	4.63
*M80F4-B-100	100	18.00	28.00	12.00	55.0	58.5	35.0	5.0	80/18000	88.0	4.13
*M80F4-B-125	125	18.00	28.00	12.00	55.0	58.5	35.0	5.0	80/18000	88.0	3.85
M80F6-P-75	75	35.00	14.00	12.00	40.5	45.0	30.0	5.0	80/18000	88.0	4.8
M80F8-S-80	80	25.00	28.00	12.00	55.0	58.5	35.0	5.0	80/18000	88.0	5.11
*M80F8-B-80	80	18.00	28.00	12.00	55.0	58.5	35.0	5.0	80/18000	88.0	4.48
*M80F8-B-100	100	18.00	28.00	12.00	55.0	58.5	35.0	5.0	80/18000	88.0	4.14
*M80F8-B-125	125	18.00	28.00	12.00	55.0	58.5	35.0	5.0	80/18000	88.0	3.85
M80F9-S-80	80	25.00	28.00	12.00	54.5	59.0	35.0	5.0	80/18000	88.0	5.07
M80F12-P-100	100	50.00	28.00	12.00	55.0	58.5	35.0	5.0	80/18000	88.0	7.8
M80F30-S-100	100	25.00	28.00	12.00	55.0	58.5	40.0	5.0	80/18000	88.0	7.51
*M80F31-B-100	100	18.00	28.00	12.00	61.0	67.0	35.0	5/8	80/18000	88.0	10.4
M100-P-80	80	47.50	31.40	15.90	71.2	76.0	40.0	8.0	100/22727	110.0	12.36
*M112F61-B-80	80	21.00	32.00	15.00	64.5	69.0	40.0	6.0	112/25200	123.2	6.5
M112F2-P-125	125	55.00	50.00	16.00	87.1	91.6	40.0	7.2	112/25200	123.2	13.35
M224F3-P-160	160	80.00	30.00	21.00	81.0	-	60.0	8.0	224/50909	246.0	17.34
*M112F6-B-100	100	21.00	6.14								
*M112F6-B-125	125	21.00	32.00	15	64	68.3	40	6	112/25200	123.2	5.46
M112F6-P-125	125	60.00	10.33								
M112F7-P-125	125	30.00	32.00	15	64	68.3	40	6	112/25200	123.2	6.39
M112F8-S-100	100	30.00	31.00	15	63.5	68	40	6	112/25200	123.2	7.14
*M112F14	160	21.00	31.00	14	64.4	69	40	6	112/25200	123.2	5.03
*M112F15-B-100	100	21.00	31.00	15	64.5	69	40	6	112/25200	123.2	5.9
*M112F49-B-100	100	21	32	15	72	77.5	40	6/10	112/25200	123.2	8.2
*M112F60-B-125	125	21	32	15	64.5	69	40	6	112/25200	123.2	5.6

*Bush chain: d1 in the table indicates the external diameter of the bush.

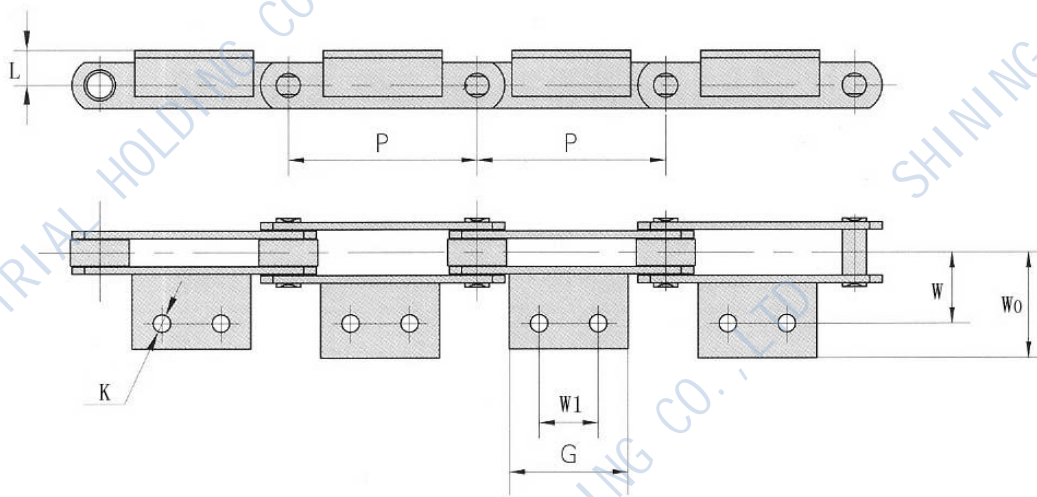
1.1.3 METRIC CHAIN



Chain No.	P	d1 (max)	b1 (min)	d2 (max)	L (max)	Lc (max)	h2 (max)	t/T (max)	Tensile Strength Q (min)	Average Tensile Strength Q0	Weight Per Meter q
	mm	mm	mm	mm	mm	mm	mm	mm	Kn/lbf	Kn	Kg/m
M112-S-150	150.0	30	32	15	-	69.0	40.0	6	160/36364	176	6.05
M112F21-P-160	160.0	40	25	15	57.5	62.0	40.0	6	112/25200	123.2	6.86
M112F24-S-100	100.0	30	32	15	-	73.2	36.0	6	112/25200	123.2	6.82
M112-PF1-80	80.0	40	32	15	64.5	69.0	40.0	6	112/25200	123.2	10.97
*M112F27-B-160	160.0	21	31	14	69.4	74.0	40.0	6/8	112/25200	123.2	5.80
*M112F47-B-160	160.0	21	32	15	72.5	77.0	40.0	8	160/36364	176	7.00
M160F1-P-100	100.0	36	36	18	76.0	80.0	40.0	7	160/36364	176	9.42
*M160F14-B-100	100.0	25	37	18	77.3	83.5	50.0	8	160/36364	176	10.44
*M160F15-B-100	100.0	25	37	18	85.3	91.5	50.0	10	160/36364	176	12.51
*M160F41-B-100	100.0	25	37	18	73.3	79.5	50.0	7	160/36364	176	9.34
M160F23-S-160	160.0	36	37	18	73.3	79.5	50.0	7	160/36364	176	11.95
*M160F36-B-160	160.0	25	37	18	73.3	79.5	50.0	7	160/36364	176	7.86
M160F40-P-200	200.0	70	37	20	83.0	89.5	51.0	9	180/40492	198	14.50
*M224F30-B-125	125.0	30	42	21	-	92.5	56.0	8	224/50909	246	12.49
*M224F40-B-160	160.0	30	43	21	85.0	91.0	60.0	8	224/50909	246	11.20
*M224F52-B-160	160.0	30	43	21	93.0	99.0	60.0	10	224/50909	246	16.20
*M224F31-B-200	200.0	30	43	21	84.0	91.0	60.0	8	224/50909	246	10.05
M300F6-P-152.4	152.4	88.9	38.5	32	84.0	92.0	60.0	10/8	400/89990	500	23.10
*M315F1-B-125	125.0	36	37	25	90.0	-	70.0	10	315/70862	346	19.15
M315-S-170	170.0	50	47	25	98.9	105.0	70.0	10	315/70862	346.5	19.83
*M315F6-B-160	160.0	42	80	25	140.0	140.0	80.0	12	315/70862	346.5	27.30
M315F10-S-250	250.0	50	55	26	106.9	113.0	70.0	10	315/70862	393.7	17.60
M315F12-S-200	200.0	45	48	25	119.0	126.5	70.0	15	600/135000	648	24.20
M315F16-S-250	250.0	60	48	25	109.5	117.0	70.0	12	600/135000	648	21.60
*M315F17-B-160	160.0	36	66.7	25	93.5	100.5	70.0	8	315/70862	346.5	15.04
M315F52-S-250	250.0	60	48	25	108.0	115.0	70.0	12	315/70862	346.5	21.30
M450F28-S-200	200.0	60	56	30	131.0	142.0	80.0	15	450/102272	562.5	36.50
*M630-B-250	250.0	50	65	36	140.0	150.0	103.0	14	630/14172	693	36.30

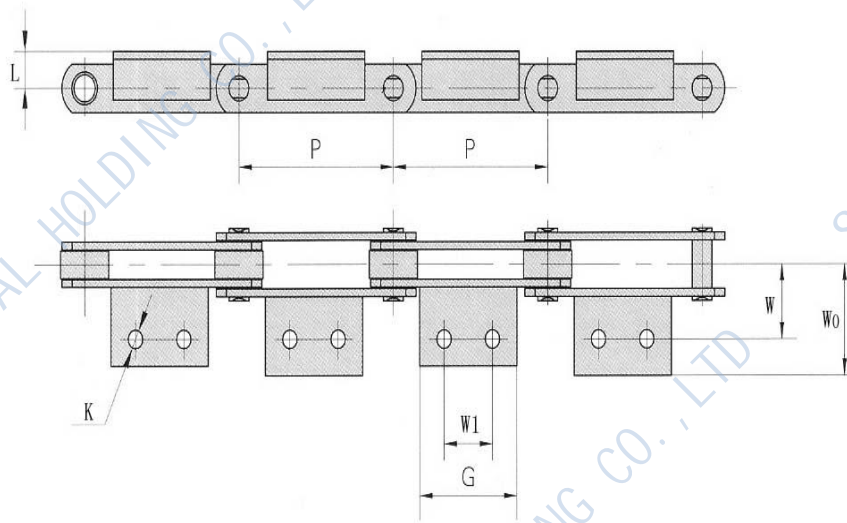
*Bush chain: d1 in the table indicates the external diameter of the bush.

1.1.3 METRIC CHAIN



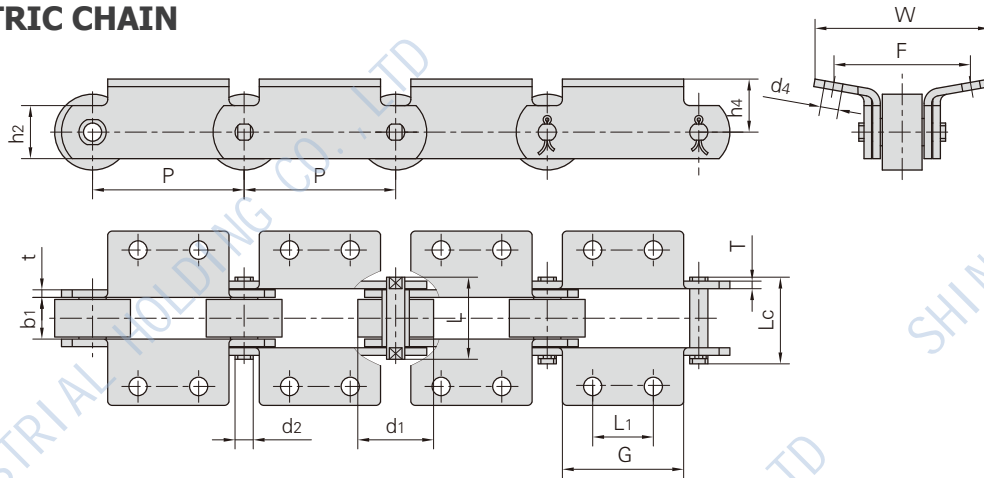
Chain No.	P	W1	G	K	W	W0	L
	mm	mm	mm				
M20	40.0	-	14.0	6.6	27.0	40.0	16.0
	50.0	-	14.0				
	63.0	20.0	35.0				
	80.0	35.0	50.0				
M28	50.0	-	20.0	9.0	32.0	47.0	20.0
	63.0	-	20.0				
	80.0	25.0	45.0				
	100.0	40.0	60.0				
M40	63.0	-	31.0	9.0	35.0	50.0	25.0
	80.0	20.0	45.0				
	100.0	40.0	60.0				
	125.0	65.0	85.0				
M56	63.0	-	22.0	11.0	44.0	61.0	30.0
	80.0	-	30.0				
	100.0	25.0	50.0				
	125.0	50.0	75.0				
M80	160.0	85.0	110.0	11.0	48.0	65.0	35.0
	80.0	-	30.0				
	100.0	25.0	50.0				
	125.0	50.0	75.0				
	200.0	125.0	150.0				

1.1.3 METRIC CHAIN



Chain No.	P	W1	G	K	W	W0	L
	mm	mm	mm				
M112	80.0	-	28.0	14.0	55.0	80.0	40.0
	100.0	-	40.0				
	125.0	5.0	65.0				
	160.0	65.0	95.0				
	200.0	100.0	130.0				
M106	100.0	-	30.0	14.0	62.0	85.0	45.0
	125.0	25.0	50.0				
	160.0	50.0	80.0				
	200.0	85.0	115.0				
	250.0	145.0	175.0				
M224	125.0	-	35.0	18.0	70.0	100.0	55.0
	160.0	-	60.0				
	200.0	65.0	100.0				
	250.0	125.0	160.0				
	315.0	190.0	230.0				
M315	160.0	-	35.0	18.0	80.0	115.0	65.0
	200.0	50.0	85.0				
	250.0	100.0	140.0				
	315.0	155.0	190.0				
	400.0	155.0	205.0				
	160.0	85.0	110.0				

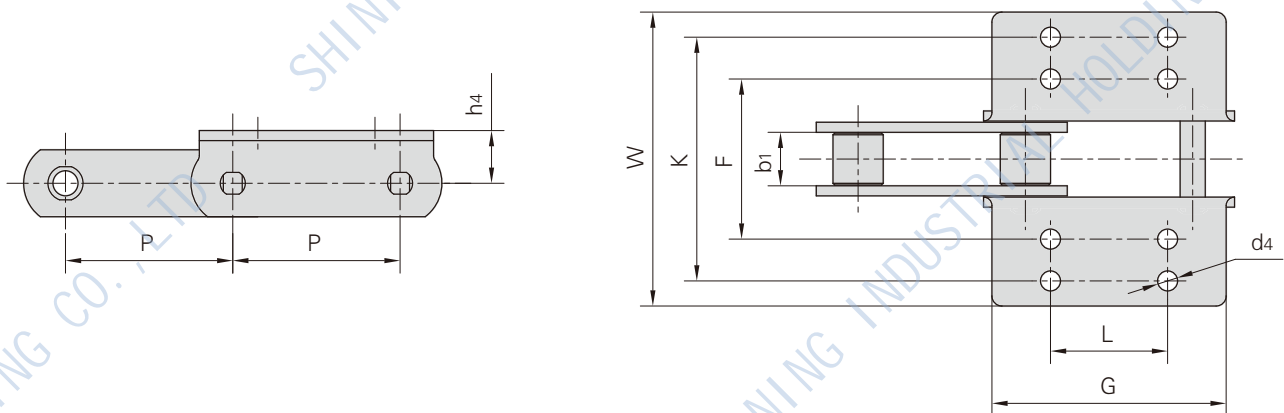
1.1.3 METRIC CHAIN



Chain No.	P	L1	G	F	W	h4	d4	d1 (max)
	mm	mm	mm	mm	mm	mm	mm	mm
M80K2F6-P-100	100	40	80	90	115	35	12	50
M112K2F4-P-200	200	120	180	110	142	48	14	60

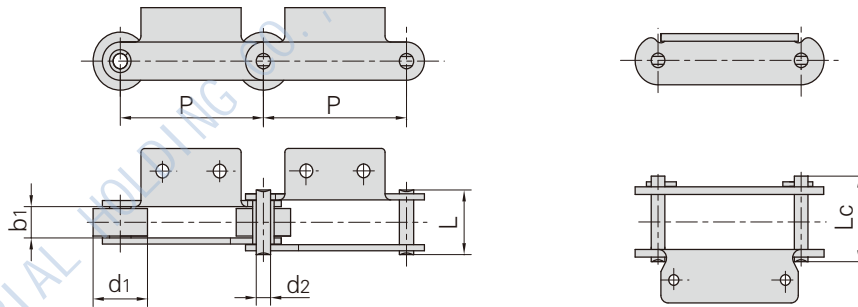
Chain No.	b1 (min)	d2 (max)	L (max)	Lc (max)	h2 (max)	t/T (max)	Tensile Strength Q (min)	Weight Per Meter q
	mm	mm	mm	mm	mm	mm	Kn/lbf	Kg/m
M80K2F6-P-100	27	12	55	58.5	35	5	80/17994	10.5
M112K2F4-P-200	38.5	15	71.7	75.6	40	5	160/35988	13.5

With K4 attachment



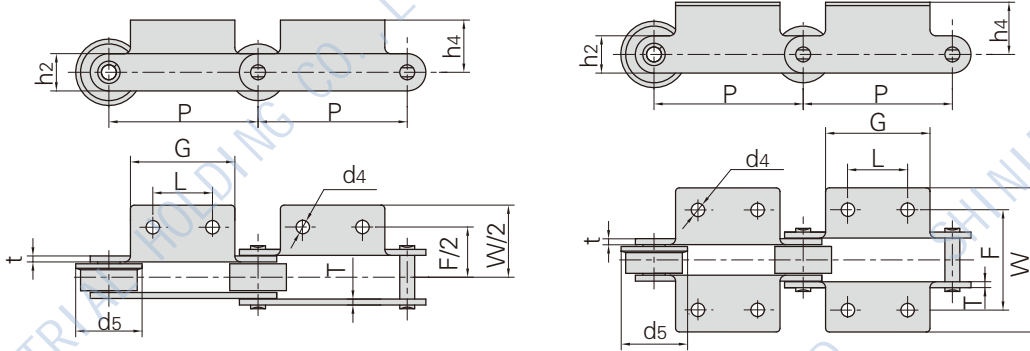
Chain No.	P	b1	h4	F	K	W	L	G	d4
	mm	mm	mm	mm	mm	mm	mm	mm	mm
M112K4-S-100	100	32	31.5	96	146	176	70	140	12

1.1.3 METRIC CHAIN



Chain No.	P	d1 (max)	b1 (min)	d2 (max)	L (max)	Lc (max)	Tensile Strength Q (min)	Average Tensile Strength Q0	Weight Per Meter q
	mm	mm	mm	mm	mm	mm	Kn/lbf	Kn	Kg/m
M18F1A1-P-50	50	25	11.5	5.72	26	28.2	18/4050	20	2.46
M18F2A1.02-P-50	50	25	11.5	5.72	28	30.2	18/4050	20	1.18
M18F4A1.02-S-50	50	15	12	6	24	26.5	18/4050	20	1.2
M18F8K1.03-P-50	50	25	11.5	5.72	26	28.2	18/4050	20	2.47
M20K1F2.02-S-50	50	12.5	16	6	31	33.5	20/4545	25	3.6
M20A2F2-S-50	50	12.5	16	6	31	33.5	20/4545	25	1.53
M28F3A2-P-63	63	30	17	7	37.3	40.3	35/7874	39	3.48
M28F3A2-F-100	100	30	17	7	37.3	40.3	35/7874	39	3.46
M32A1.02-P-50	50	31	15	10	33	35.5	32/7200	35.2	4.09
M32A1F1-P-50	50	31	15	10	33	35.5	32/7200	35.2	3.96
M35F4A1.01-C-69	69	25	12	7	27.5	30	35/7874	39	2.26
M40FA1.02-P-50	50	31	15	10	36.6	39	75/16872	82.5	4.52
M40KF2F1-P-50	50	31	15	10	36.6	39	40/8992	44	4.94
M40FA2-P-50	50	31	15	10	36.6	39	40/8992	44	4.54
M40F17A2-P-50.8	50.8	31	15.2	13.4	38	42.8	53.9/12127	59.2	4.9
M40F5A2-S-65	65	24	15	12	38	41	40/8992	44	4.74
M40F10-F-76.2	76.2	31.5	15	14	38	42	40/8992	44	4.16
M40A2F2-F-80	80	36	20	8.5	40.5	45	40/8992	44	4.98
M40F1-P-125	125	36	38	14.27	75.6	-	40/8992	44	10.18
M56F1-P-100	100	38	20.5	10	42.3	46.1	56/12727	61	4.63
M56F2-P-100	100	42	22.5	10	44.6	48.5	56/12727	61	5.67
M56F2-F-100	100	42	22.5	10	44.6	48.5	56/12727	61	5.88
M56F3-P-100	100	38	20.5	10	42.3	46.1	56/12727	61	4.72
M56F3-F.06-100	100	38	20.5	10	42.3	46.1	56/12727	61	4.7
M56F8-P-100	100	38	17	10	38.8	42.6	56/12727	61	3.79
M56F23-F-100	100	42	24	10	44.6	49.5	56/12727	61	5.52
M75-P100	100	38	18.9	9.53	40.4	44.7	75/17045	83	4.85

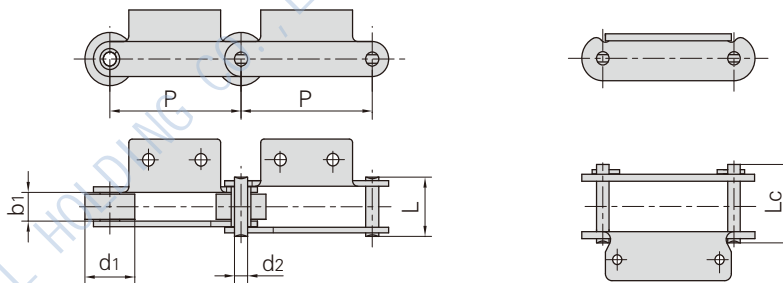
1.1.3 METRIC CHAIN



Chain No.	P	L	G	F	W	h4	h2	d4	t/T	d5
	mm	mm	mm	mm	mm	mm	mm	mm	mm	mm
M18F1A1-P-50	50	△	46	44	72	24	18	6.5	2.5	-
M18F2A1.02-P-50	50	△	41	48	68	25	15	6.5	3	-
M18F4A1.02-S-50	50	△	30	50	83	20	15	8	2.03	-
M18F8K1.03-P-50	50	△	46	44	66.6	24	18	8.5	2.5	-
M20K1F2.02-S-50	50	△	20	54	75	16	18	6.6	2.5	-
M20A2F2-S-50	50	20	35	52	80	13	18	8.1	2.5	-
M28F3A2-P-63	63	20	50	64	92	20	20	9	4	-
M28F3A2-F-100	100	40	76	64	100	20	20	9	4	40
M32A1.02-P-50	50	△	60	62	97	35	23	10	3	-
M32A1F1-P-50	50	△	30	62	92	28	23	10	3	-
M35F4A1.01-C-69	69	△	60	50	74	25.5	19	7	2.5	-
M40FA1.02-P-50	50	△	60	70	98	17.5	25	10	4	-
M40FK2F1-P-50	50	30	60	67.5	100	17	25	9	4	-
M40FA2-P-50	50	30	45	93	136	14.5	25	6.5	4	-
M40F17A2-P-50.8	50.8	30	55	66	92	18	25	10.2	5/4	-
M40F5A2-S-65	65	25	45	90	122	24.5	30	8.5	4	-
M40F10-F-76.2	76.2	22.2	38.3	76.2	106.5	19	26	9.4	4	40
M40A2F2-F-80	80	20	50	70	112	35	25	9	3.5	45
M40F1-P-125	125	50	90	100	140	36	50	13	6	-
M56F1-P-100	100	40	70	67.5	96.6	35	25	9	4	-
M56F2-P-100	100	29.7	50	124	148	21.5	32	7	4	-
M56F2-F-100	100	29.7	50	124	148	21.5	32	7	4	50
M56F3-P-100	100	50	70	71	101	35	25	9	4	-
M56F3-F.06-100	100	50	70	71	101	35	25	9	4	44.5
M56F8-P-100	100	△	70	63.8	95	25	25	8.2	4	-
M56F23-F-100	100	40	70	71.4	100.6	35	25	9	4	50
M75-P100	100	40	70	64	112	24.9	26	9	4	-

△ Attachments with 1 hole

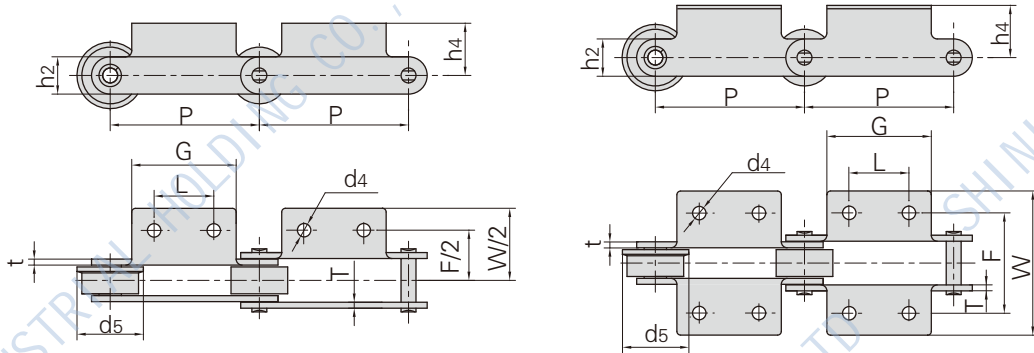
1.1.3 METRIC CHAIN



Chain No.	P	d1 (max)	b1 (min)	d2 (max)	L (max)	Lc (max)	Tensile Strength Q (min)	Average Tensile Strength Q0	Weight Per Meter q
	mm	mm	mm	mm	mm	mm	Kn/lbf	Kn	Kg/m
M75-P100F1	100	38	18.9	9.53	38.4	42.7	75/17045	83	4.01
M75-P100F3	100	28.5	23.9	11.1	46.3	50.3	75/17045	83	4.53
M75F4-P-100	100	38	18.9	9.53	40.4	44.7	75/17045	83	4.62
M75-PF1-100	100	19.1	18.9	9.53	40.4	44.7	75/17045	75	3.43
M80K1F1-P-100	100	50	28	12	55	58.5	80/18000	88	9.1
*M80K2F1-B-100	100	18	28	12	55	58.5	80/18000	88	5.94
*M80F5K1-B-100	100	18	28	12	55	58.5	80/18000	88	5.45
M80A2F1-F-160	160	50	29	12	65	-	80/18000	88	7.45
M80F43K2-P-200	200	50	28	12	55	59	80/18000	88	7.9
M112F5K2-P-100	100	36	37	16	69	74	112/25200	123.2	8.28
*M112K2F2-B-100	100	21	32	15	64.5	69	112/25200	123.2	7.53
M112F16K1-P-125	125	60	32	15	68.5	73	112/25200	122.2	13
M112F9A2-F-180	180	50	32	15	64.5	69	160/35993	176	10.3
M112A2F21-F-315	315	60	32	15	65	70	112/25200	123.2	8.5
M160F1K2-P-100	100	36	36	18	76	80	160/35993	176	10.8
M160F12K2-S-100	100	36	38	14	76	-	100/22496	110	9.33
*M160F2-B-100	100	25	37	18	73.3	83	222/49940	244.2	11.36
*M160F41K2-B-100	100	36	37	18	73.3	79.5	160/35993	176	14.75
*M160F55K2-B-100	100	25	37	18	-	86	160/35993	176	15.04
M160A2F8-F-200	200	70	37	18	85	-	181.8/40905	200	15.2
M224F6A2-P-160	160	85	42	21	87.5	92.5	224/50909	246.5	27.56
M224F29A2-F-200	200	85	43	21	85	91	224/50909	246	21.6
M224F1K2-P-200	200	85	42	21	95	-	224/50909	246	21.2
M224F42K2-S-200	200	42	44	21	-	99	224/50909	246	17.2
M315F22A2-F-400	400	100	56	25	109.8	115.3	315/70815	346.5	26.6
M315K2F1-P-250	250	50	47	25	98.9	105	315/70815	346.5	20.6
M450F26A2-F-400	400	100	56	30	111	118	315/70815	346.5	27.6

*Bush chain: d1 in the table indicates the external diameter of the bush.

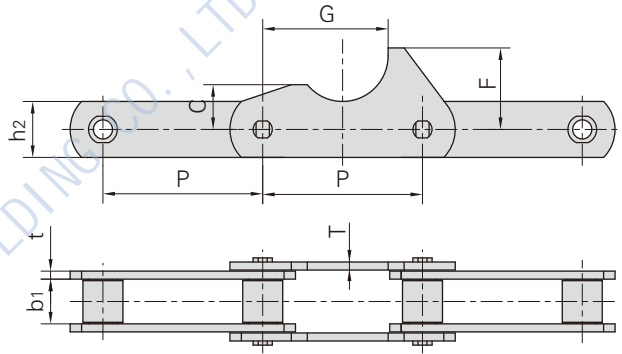
1.1.3 METRIC CHAIN



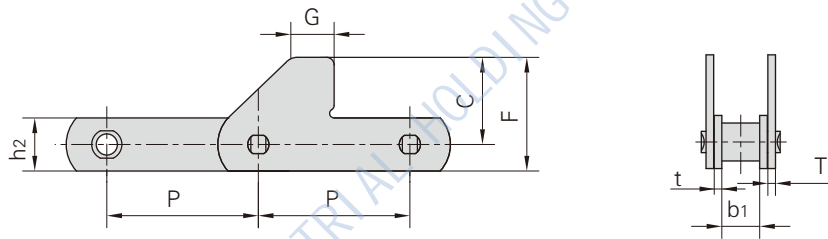
Chain No.	P	L	G	F	W	h4	h2	d4	t/T	d5
	mm	mm	mm	mm	mm	mm	mm	mm	mm	mm
M75-P100F1	100	40	70	64	112	24.4	26	9	3.5	-
M75-P100F3	100	50	70	75.7	96.7	35	26	9.7	4	-
M75F4-P-100	100	40	70	90	112.4	24.9	26	8.5	4	-
M75-PF1-100	100	40	70	64	112	24.9	26	9	4	-
M80K1F1-P-100	100	△	30	96	138	35	35	11	5	-
M80K2F1-B-100	100	70	100	96	130	35	35	11	5	-
M80F5K1-B-100	100	△	60	100	156	23.2	35	13×17	5	-
M80A2F1-F-160	160	60	95	94	124	27.5	35	9	5	60
M80F43K2-P-200	200	80	120	96	130	35	35	11	5	-
M112F5K2-P-100	100	35	65	98.5	140	40	40	14	6	-
M112K2F2-B-100	100	30	60	100	130	30	40	9	6	-
M112F16K1-P-125	125	△	72	120	184	39	40	13	7	-
M112F9A2-F-180	180	100	130	110	160	40	40	14	6	60
M112A2F21-F-315	315	160	200	110	160	40	40	14	6	70
M160F1K2-P-100	100	40	80	124	183	35	40	14	7	-
M160F12K2-S-100	100	30	70	100	120	35	40	13	5.6	-
M160F2-B-100	100	△	110	125	155	45	50	17	7	-
M160F41K2-B-100	100	40	80	124	180	45	55	14	7	-
M160F55K2-B-100	100	40	80	124	200	43	50	14	8	-
M160A2F8-F-200	200	80	115	124	170	45	51	12	7	85
M224F6A2-P-160	160	80	125	136	182	62	72	17	8	-
M224F29A2-F-200	200	50	100	170	200	45	60	13	8	100
M224F1K2-P-200	200	80	120	128	168	40	50	14	9	-
M224F42K2-S-200	200	60	100	142	180	54	62	15	8	-
M315F22A2-F-400	400	200	250	160	207.6	70	70	18	10	120
M315K2F1-P-250	250	60	100	127	168	57	82	14	10	-
M450F26A2-F-400	400	200	250	160	207.6	70	75	18	10	119

△ Attachments with 1 hole

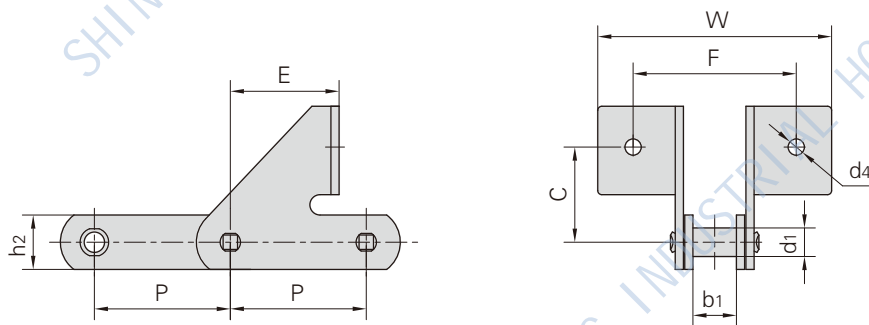
1.1.3 METRIC CHAIN



Chain No.	P	b1	h2	t/T	C	F	G
	mm	mm	mm	mm	mm	mm	mm
M80F29-S-100	100	28	35	5	28	51	78.5

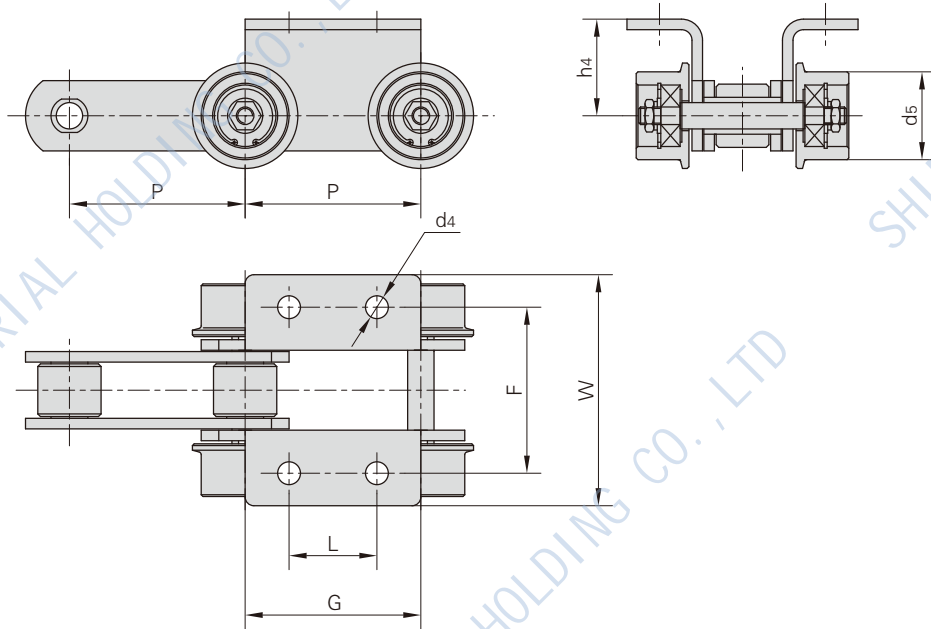


Chain No.	P	b1	h2	t/T	C	F	G
	mm	mm	mm	mm	mm	mm	mm
M80F41-P-100	100	28	35	5	40	75	29

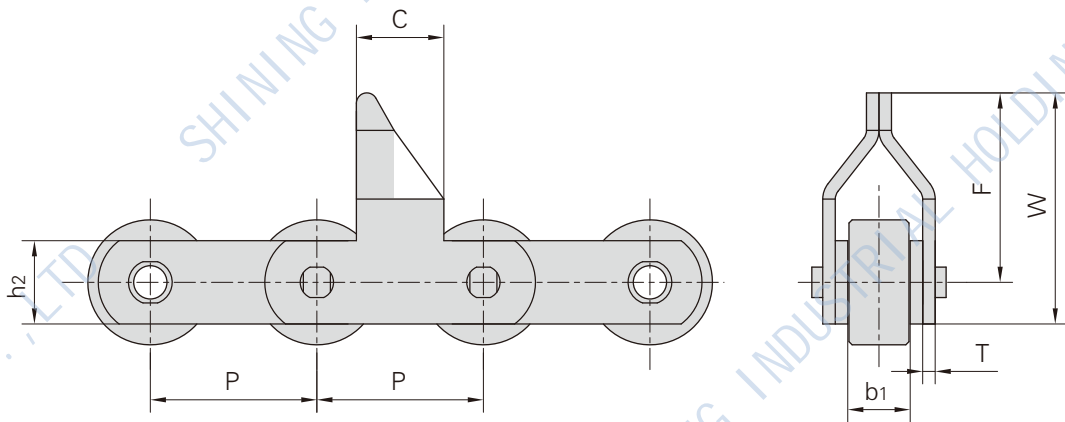


Chain No.	P	d1	b1	h2	C	E	F	W	d4
	mm	mm	mm	mm	mm	mm	mm	mm	mm
M112F52SD-B-100	100	21	32	40	70	80	120	172	12

1.1.3 METRIC CHAIN

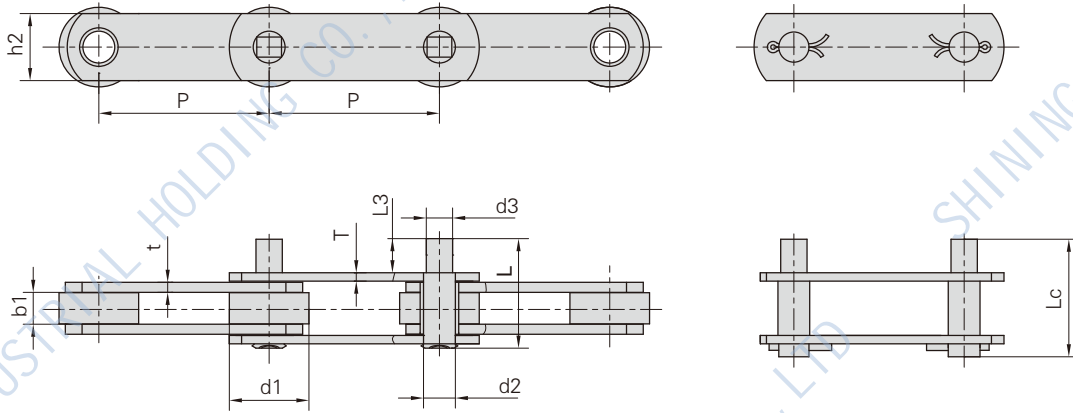


Chain No.	P	L	G	F	W	h4	d4	d5
	mm	mm	mm	mm	mm	mm	mm	mm
M112F34-P-100	100	50	100	95	130	55	13	50



Chain No.	P	b1	h2	T	C	F	W
	mm	mm	mm	mm	mm	mm	mm
M112F39-P-80	80	32	40	6	42	91	111

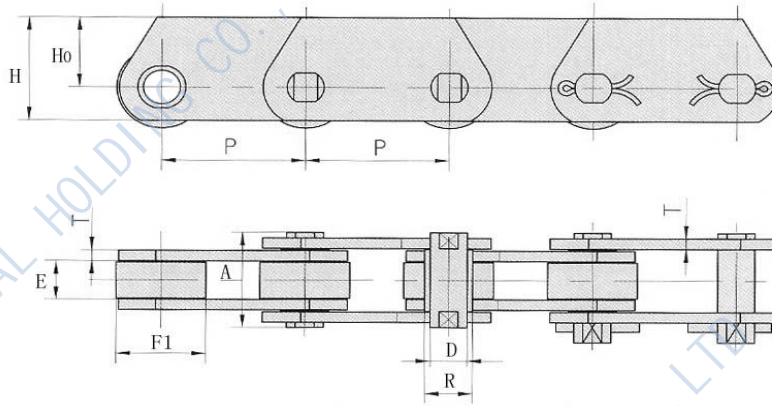
1.1.3 METRIC CHAIN



Chain No.	P	d1 (max)	b1 (max)	d2 (max)	d3 (max)	L3	L (max)	Lc (max)
	mm	mm	mm	mm	mm	mm	Kn/lbf	Kg/m
M18F7-D3-P-75	75	25	11.5	5.72	12	30	56.6	58.9
M20D1F1.02-P-80	80	25	16	6	6	25.5	54.7	57.2
M75-D3-P-100	100	38	18.95	9.53	11	38	76.2	80.5
M20-D1F2.02-P-80	80	25	16	6	6	27.8	57	59.5
M35F1-P-35	35	20	16	7	10	30	59	61.9
M35F7-D1-P-35	35	20	16	8	10	25	56	-
M100F11-P-101.6-D3	101.6	47.5	19	19	15.7	20	66.3	71.5
M100-P-152.4-D3	152.4	47.5	19	19	18.25	84.8	127.5	132.7
M100-P-203.2-D3	203.2	47.5	19	19	18.25	84.8	127.5	132.7
M160F58-D1.04-P-125	125	70	34	18	18	71.6	104	-

Chain No.	h2 (max)	t/T (max)	Tensile Strength Q (min)	Average Tensile Strength Q0	Weight Per Meter q
	mm	mm	KN/lbf	KN	Kg/m
M18F7-D3-P-75	20	3	18/4050	20	2.14
M20D1F1.02-P-80	18	2.5	20/4545	25	1.65
M75-D3-P-100	26	4	75/16870	82.5	3.61
M20-D1F2.02-P-80	18	2.5	20/4545	22	1.65
M35F1-P-35	18	2.5	35/7874	39	2.47
M35F7-D1-P-35	18	3	35/7874	39	2.77
M100F11-P-101.6-D3	40	6/5	150/33722	165	7.6
M100-P-152.4-D3	40	5/4	100/22496	110	6.36
M100-P-203.2-D3	40	5/4	100/22496	110	5.49
M160F58-D1.04-P-125	52	8	160/36364	176	17.7

1.1.3 METRIC CHAIN

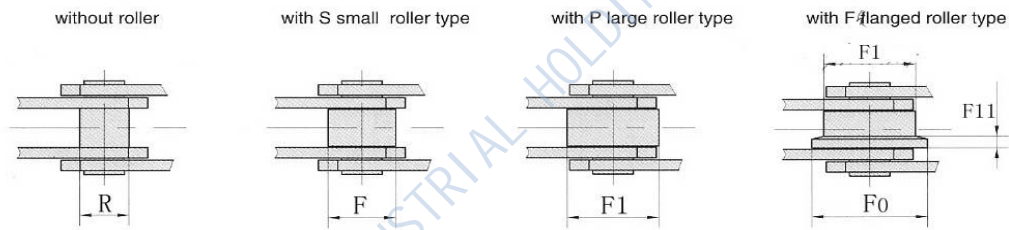
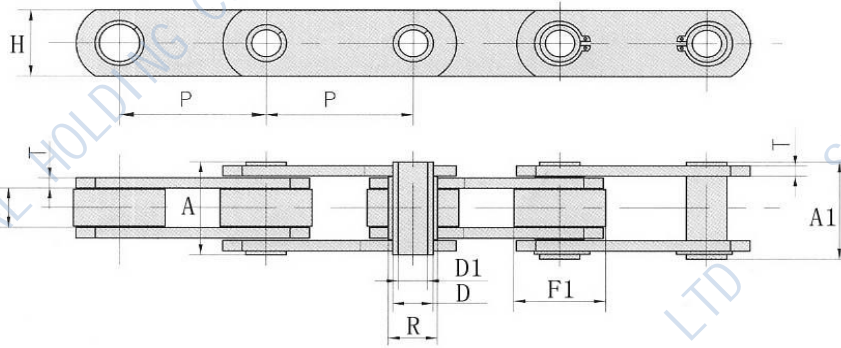


Chain No.	Pitch					E(mm) min	Sidebar		
	P						T(mm)	H(mm)	H ₀ (mm)
							max	max	max
MT20	40.0	50.0	63.0	80.0	100.0	16.0	2.5	25.0	16.0
MT28	50.0	63.0	80.0	100.0	125.0	18.0	3.0	30.0	20.0
MT40	63.0	80.0	100.0	125.0	160.0	20.0	3.5	35.0	22.5
MT56	63.0	80.0	100.0	125.0	160.0	24.0	4.0	45.0	30.0
MT80	80.0	100.0	125.0	160.0	200.0	28.0	5.0	50.0	32.5
MT112	80.0	100.0	125.0	160.0	200.0	32.0	6.0	60.0	40.0
MT160	100.0	125.0	160.0	200.0	250.0	37.0	7.0	70.0	45.0
MT224	125.0	160.0	200.0	250.0	315.0	43.0	8.0	90.0	60.0
MT315	160.0	200.0	250.0	315.0	400.0	48.0	10.0	100.0	65.0
MT450	200.0	250.0	315.0	400.0	500.0	56.0	12.0	120.0	80.0

Chain No.	Pin		Barrel	Roller	Min.Ult.Strength	
	D (mm) max	A(mm) max	R(mm) max	F1(mm) max	Q(KN)	*Q(KN)
MT20	6.0	35.0	9.0	25.0	20.0	32.0
MT28	7.0	40.0	10.0	30.0	28.0	42.0
MT40	8.5	45.0	12.5	36.0	40.0	60.0
MT56	10.0	52.0	15.0	42.0	56.0	85.0
MT80	12.0	62.0	18.0	50.0	80.0	125.0
MT112	15.0	73.0	21.0	60.0	112.0	175.0
MT160	18.0	85.0	25.0	70.0	160.0	260.0
MT224	21.0	98.0	30.0	85.0	224.0	340.0
MT315	25.0	112.0	36.0	100.0	315.0	520.0
MT450	30.0	135.0	42.0	120.0	450.0	700.0

*Q Higher breaking load with hardened plates

1.1.3 METRIC CHAIN



Chain No.	Pitch						E(mm) min	Sidebar		Pin		
	P							T(mm)	H(mm)	D (mm) max	D1(mm) max	A(mm) max
								max	max			
MC28	63.0	80.0	10.0	125.0	160.0	-	20.0	3.0	25.0	13.0	8.2	36.0
MC56	80.0	100.0	125.0	160.0	200.0	250.0	24.0	4.0	35.0	15.5	10.2	45.0
MC112	100.0	125.0	160.0	200.0	250.0	315.0	32.0	6.0	50.0	22.0	14.3	62.5
MC224	160.0	200.0	250.0	315.0	400.0	500.0	43.0	8.0	70.0	30.0	20.3	83.0

Chain No.	Pin	Barrel	Roller				Min. Breaking Load	
	A1(mm) max	R(mm) max	F1(mm) max	F(mm) max	F0(mm) max	F11(mm)	Q(KN)	*Q(KN)
MC28	38.5	17.0	36.0	25.0	45.0	4.5	28.0	40.0
MC56	47.5	21.0	50.0	30.0	60.0	5.0	56.0	90.0
MC112	64.3	29.0	70.0	42.0	85.0	7.0	112.0	180.0
MC224	85.5	41.0	100.0	60.0	120.0	10.0	224.0	350.0