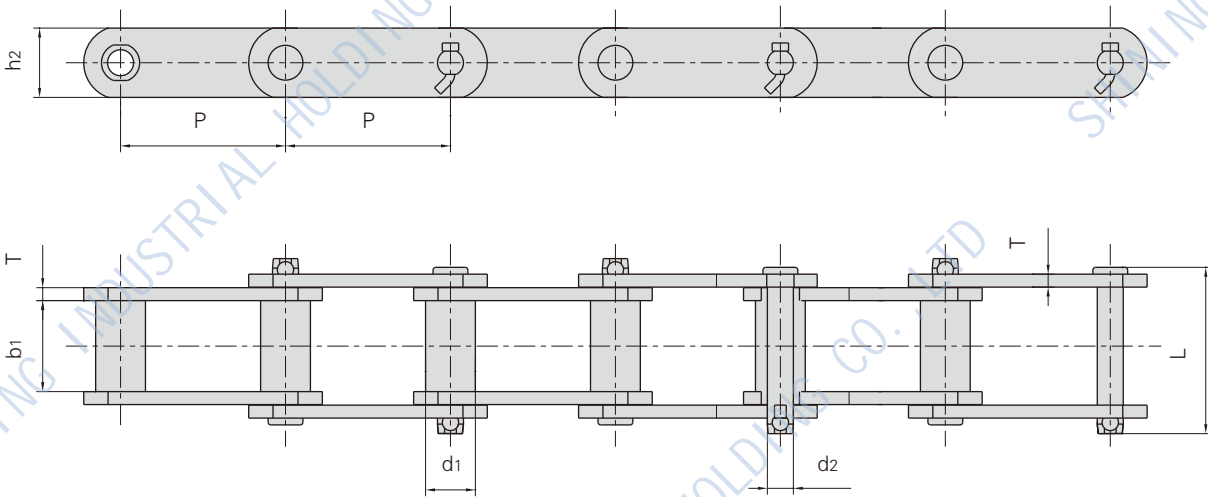
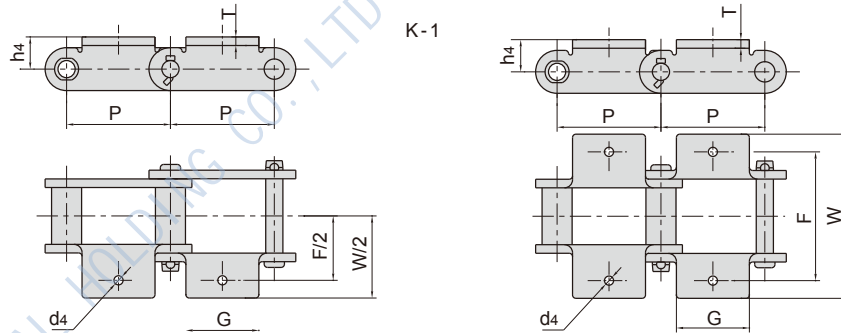


### 1.1.4 BUSH CHAIN



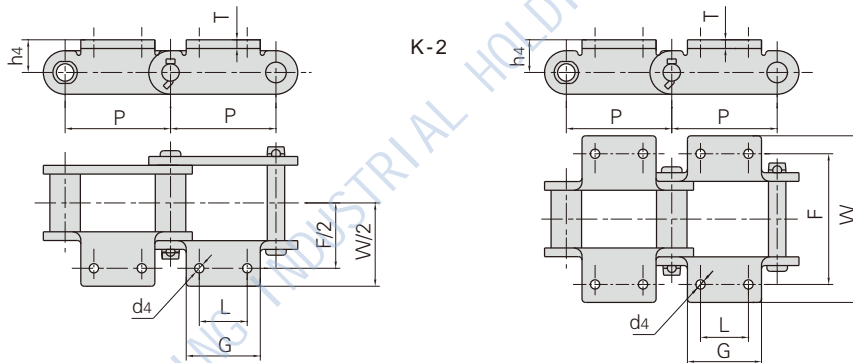
Chain No.	Pitch	Bush Diameter	Width Between Inner Plates	Pin Diameter	Pin Length	Plate Depth	Plate Thickness	Tensile Strength	Average Tensile Strength	Weight Per Meter
	$P$	$d_1$ max	$b_1$ min	$d_2$ max	$L$ max	$h_2$ max	$T$ max	$Q$ min	$Q_0$	$q$
	mm	mm	mm	mm	mm	mm	mm	kN/lbf	kN	Kg/m
SS102B	101.60	25.40	54.10	15.88	111.3	38.10	9.7	160.0/35993	176.0	10.40
SS110	152.40	32.00	54.10	15.88	111.3	38.10	9.7	160.0/35993	176.0	9.80
SS111	120.90	36.60	66.80	19.05	131.2	50.80	9.7	214.0/48141	235.4	15.90
SS131	78.11	32.00	33.50	15.88	90.5	38.10	9.7	160.0/35993	176.0	11.60
SS150	153.67	44.70	84.30	25.40	164.6	63.50	12.7	378.0/85034	416.0	25.70
SS188	66.27	22.40	26.90	12.70	68.6	28.40	6.4	102.0/22946	112.2	5.60
SS856	152.40	44.40	76.20	25.40	154.9	63.50	12.7	365.0/82110	401.5	25.00
SS857	152.40	44.40	76.20	25.40	154.9	82.60	12.7	432.0/97182	475.2	32.00
SS859	152.40	60.40	95.30	31.75	188.5	101.60	16.0	690.0/155221	759.0	55.90
SS864	177.80	60.40	95.30	31.75	188.5	101.60	16.0	690.0/155221	759.0	51.80
SS102.5	102.36	34.93	57.15	19.05	115.0	44.45	9.5	214.0/48141	235.4	14.09
SS110-F1	152.40	31.75	53.48	15.88	111.0	44.45	9.5	160.0/35993	176.0	10.50
SS111-F1	120.90	36.51	66.68	19.05	125.0	50.80	9.5	215.0/48141	235.4	15.46
SS150-F1	153.67	44.50	80.60	28.60	152.0	80.00	12.0	900.0/202328	990.0	29.87

## 1.1.4 BUSH CHAIN



Chain No.	P	G	F	W	h4	d4	T
	mm	mm	mm	mm	mm	mm	mm
★SS102B	101.60	77.0	121.0	180.8	25.4	10.2	9.7
SS131	78.11	73.9	104.6	157.0	25.4	13.5	9.7
SS188	66.27	54.6	95.2	131.6	20.6	10.2	6.4

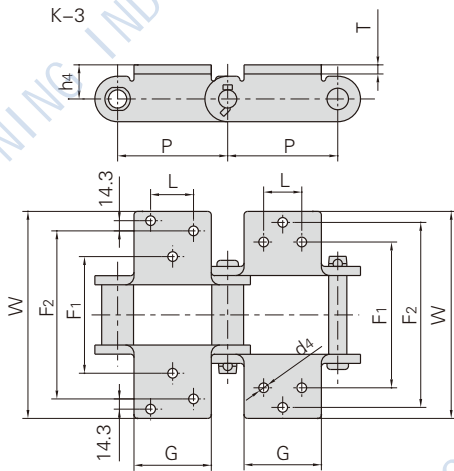
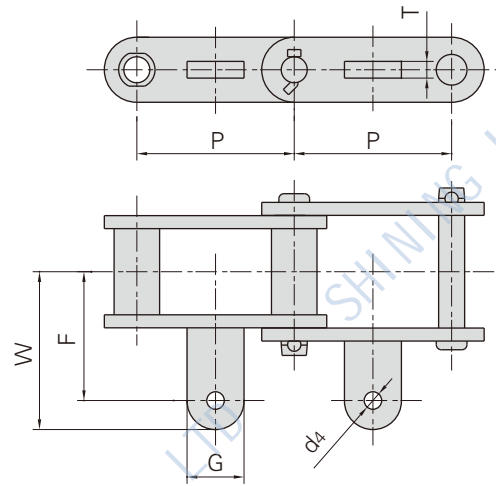
★ Engineering steel bush chains



Chain No.	P	L	G ( max )	F	W ( max )	h4	d4	T
	mm	mm	mm	mm	mm	mm	mm	mm
SS102B	101.60	44.50	69.9	134.90	180.80	25.40	10.20	9.7
SS110	152.40	44.50	89.6	134.90	180.80	25.40	10.20	9.7
SS111	120.90	58.70	92.7	158.80	210.80	38.10	13.50	9.7
SS131	78.11	38.10	73.9	104.60	157.00	25.40	13.50	9.7
SS150	153.67	69.90	108.7	190.50	249.40	47.80	13.50	12.7
SS188	66.27	31.80	54.6	106.40	131.60	20.60	8.60	6.4
SS856	152.40	63.50	103.1	184.20	241.30	47.80	16.80	12.7
SS102.5	102.36	44.45	69.0	136.53	163.51	28.58	9.50	9.5
SS110-F1	152.40	44.45	88.9	134.94	165.10	27.78	10.30	9.5
SS111-F1	120.90	58.70	87.5	158.75	196.85	38.10	13.70	9.5
SS102.5A2-F1	102.36	44.45	80.0	134.60	72.00	28.58	14.50	9.5
SS856-F3	152.40	57.15	108.0	160.30	215.90	47.80	13.49	12.7
SS110-F3	152.40	44.50	76.2	134.90	161.00	25.40	10.20	9.7
SS188-F6	66.27	31.75	54.6	105.20	129.30	22.30	11.11	6.4
SS856-F5	152.40	63.50	180.0	184.15	241.00	12.70	18.00	12.7

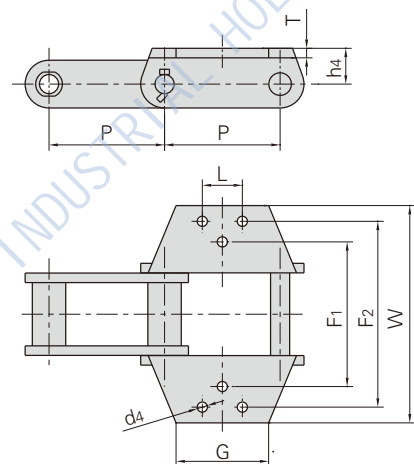
### 1.1.4 BUSH CHAIN

Chain No.	P	G	F	W	h4	d4
	mm	mm	mm	mm	mm	mm
SS188	66.27	49.2	45.2	61.2	10.2	10.4
SS188A22-F2	66.27	32.0	45.2	61.2	12.0	6.4

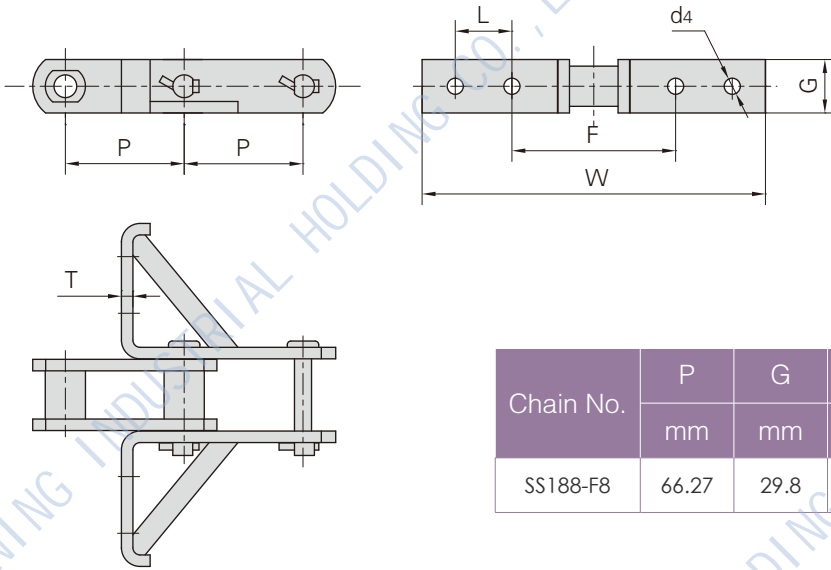


Chain No.	P	G	L	F1	F2	W	h4	d4	T
	mm	mm	mm	mm	mm	mm	mm	mm	mm
SS150	153.67	109.5	69.9	190.5	292.1	347.5	47.8	13.5	13.5
SS856	152.40	152.4	69.9	166.6	277.9	349.3	47.8	13.5	13.5

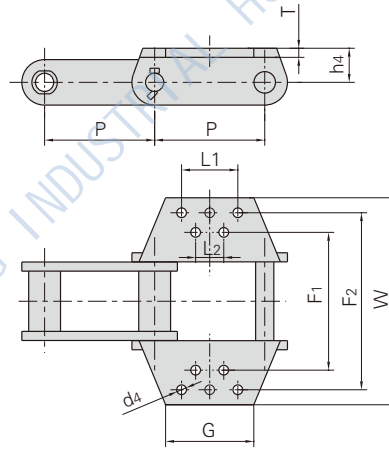
Chain No.	P	G	L	F1	F2	W	h4	d4	T
	mm	mm	mm	mm	mm	mm	mm	mm	mm
SS856	152.4	90.0	63.50	184.2	298.50	349.30	47.8	16.80	13.50
SS102BF3K2	101.6	101.0	44.50	-	132.00	164.00	38.1	11.00	10.00
SS111F2K2	120.9	120.65	58.67	-	158.74	195.33	38.1	14.23	9.65
SS856F8K3	152.4	90.00	64.00	199.5	314.00	355.00	71.0	17.00	16.00



## 1.1.4 BUSH CHAIN



Chain No.	P	G	L	F	W	d4	T
	mm	mm	mm	mm	mm	mm	mm
SS188-F8	66.27	29.8	31.6	92.5	192	9.1	6.4



Chain No.	P	G	L1	L2	F1	F2	W	h4	d4	T
	mm	mm	mm	mm	mm	mm	mm	mm	mm	mm
SS856	152.4	146.1	88.9	88.9	177.8	304.8	355.6	63.5	13.5	13.5
SS859	152.4	146.1	114.3	69.9	228.6	330.2	381.0	76.2	16.8	13.5
SS864	177.8	146.1	139.7	95.3	228.6	330.2	381.0	76.2	16.8	13.5