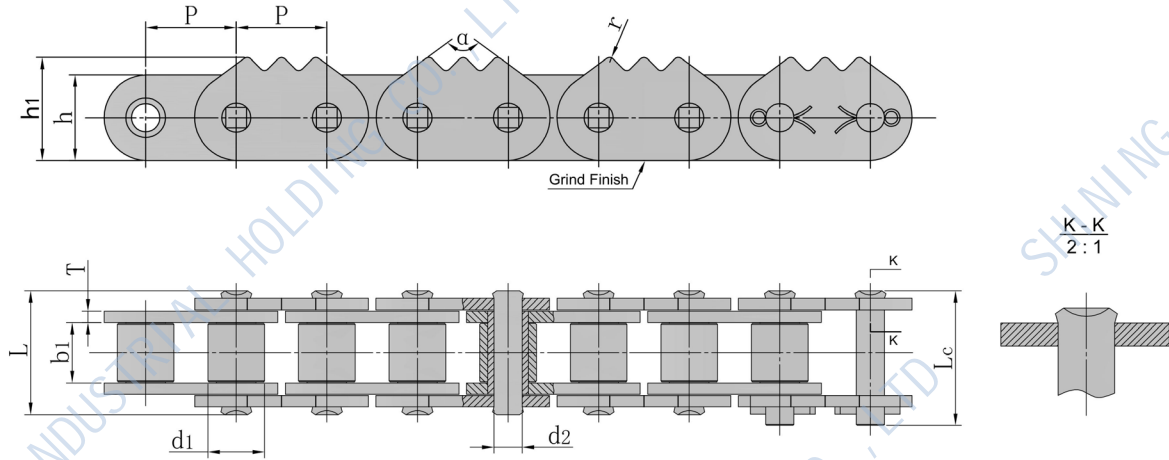
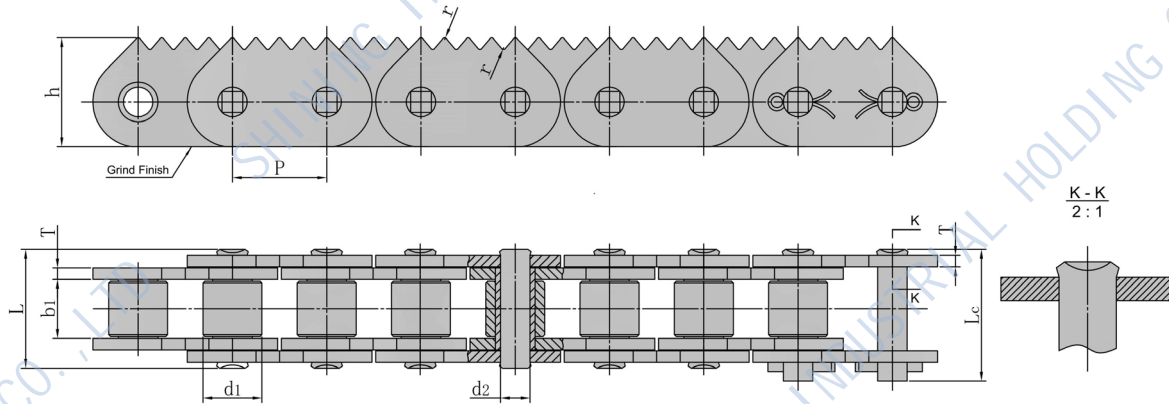


## 1.1.9 SHARP TOP CHAIN

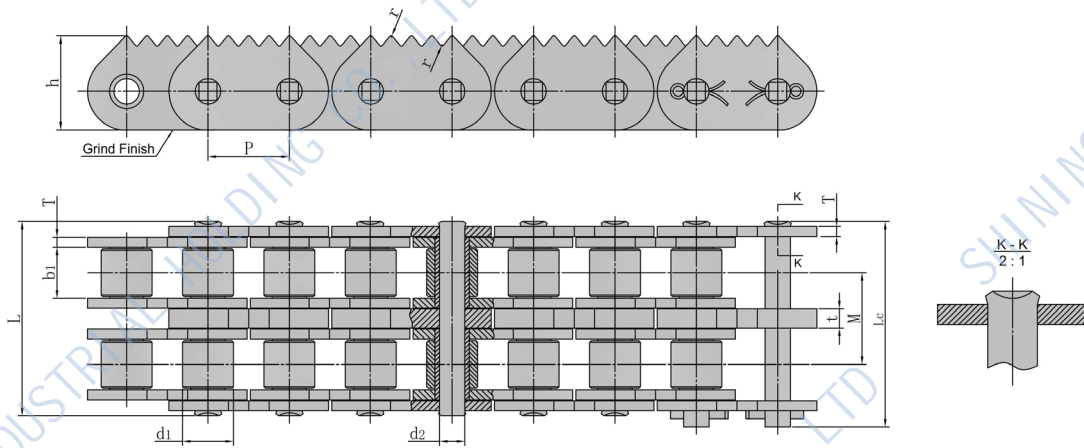


Chain No.	Pitch	Roller Diameter	Width Between Inner Plates	Pin Diameter	Pin Length		Plate Depth	Plate Thickness	Angle	Radian	Broken Load
	P	d1 max	b1 min	d2 max	L max	Lc max	h max	h1 max	$\alpha$	r	Q min
	mm	mm	mm	mm	mm	mm	mm	mm	$^{\circ}$	mm	kN/lbf
SH60-3T	19.05	11.91	12.57	5.94	25.6	27.75	18.08	21.7	107	0.5	32/7149
SH100-3T	31.75	19.05	18.9	9.54	41.1	42.6	30.16	34.3	107	1.5	87/19436

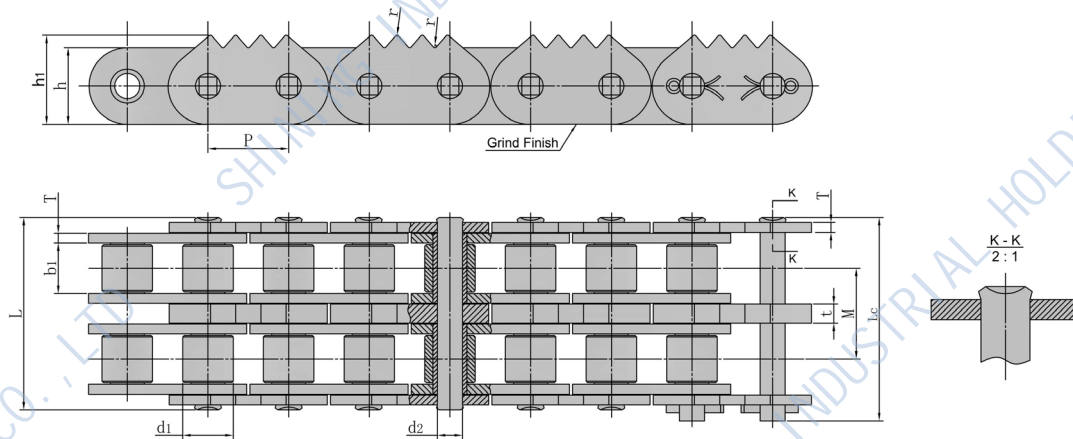


Chain No.	Pitch	Roller Diameter	Width Between Inner Plates	Pin Diameter	Pin Length		Plate Depth	Plate Thickness	Radian	Broken Load
	P	d1 max	b1 min	d2 max	L max	Lc max	h max	T max	r	Q min
	mm	mm	mm	mm	mm	mm	mm	mm	mm	kN/lbf
SH80-5T	25.4	15.88	15.75	7.92	32.9	35.6	29.36	3.2	0.5	57/12735

### 1.1.9 SHARP TOP CHAIN

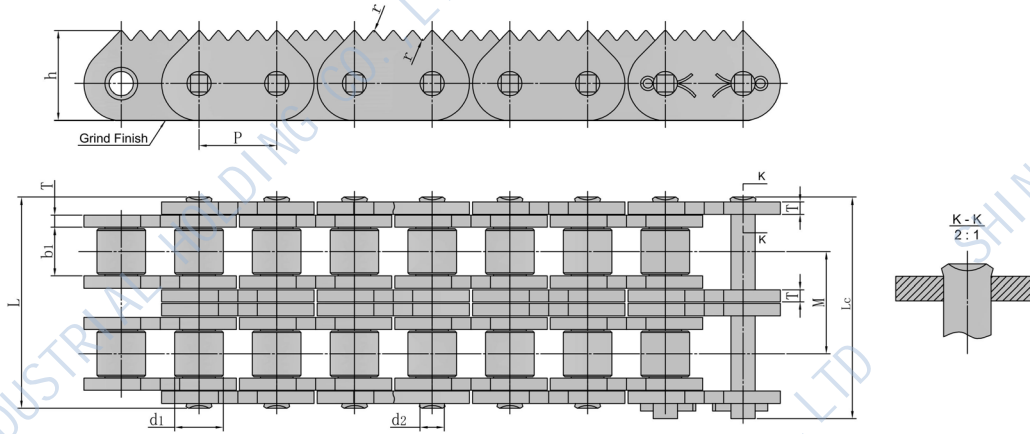


Chain No.	Pitch	Roller Diameter	Width Between Inner Plates	Pin Diameter	Pin Length		Plate Depth		Plate Thickness		Row Spacing	Radian	Broken Load
	P	d1 max	b1 min	d2 max	L max	Lc max	h max	T max	t max	M	r	Q min	
	mm	mm	mm	mm	mm	mm	mm	mm	mm	mm	mm	kN/lbf	
SH80/2-5T	25.4	15.88	15.75	7.92	62.7	64.89	29.36	3.2	6.45	29.29	0.5	114/25471	

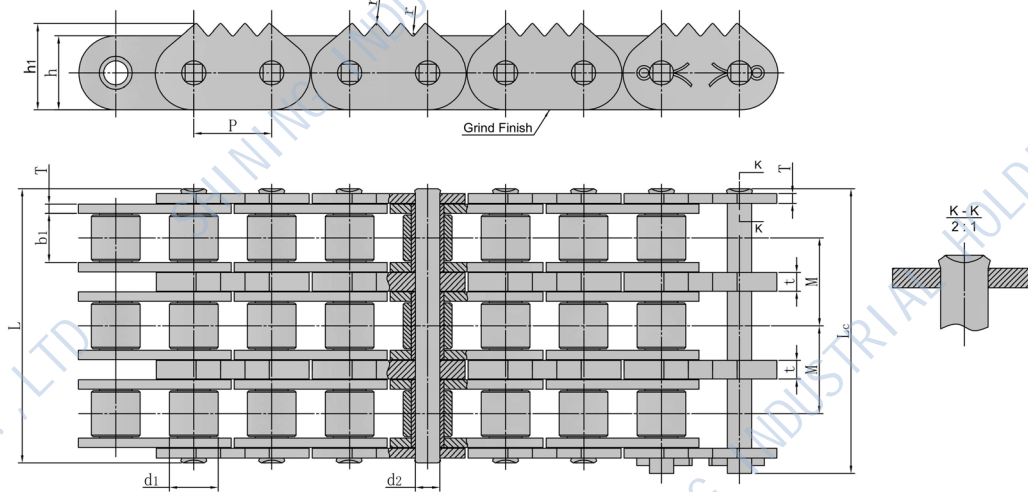


Chain No.	Pitch	Roller Diameter	Width Between Inner Plates	Pin Diameter	Pin Length		Plate Depth		Plate Thickness		Row Spacing	Radian	Broken Load
	P	d1 max	b1 min	d2 max	L max	Lc max	h max	h1 max	T max	t max	M	r	Q min
	mm	mm	mm	mm	mm	mm	mm	mm	mm	mm	mm	mm	kN/lbf
SH80/2-4T	25.4	15.88	15.75	7.92	62.7	64.89	24.12	28.06	3.2	6.45	29.29	0.5	114/25471

## 1.1.9 SHARP TOP CHAIN

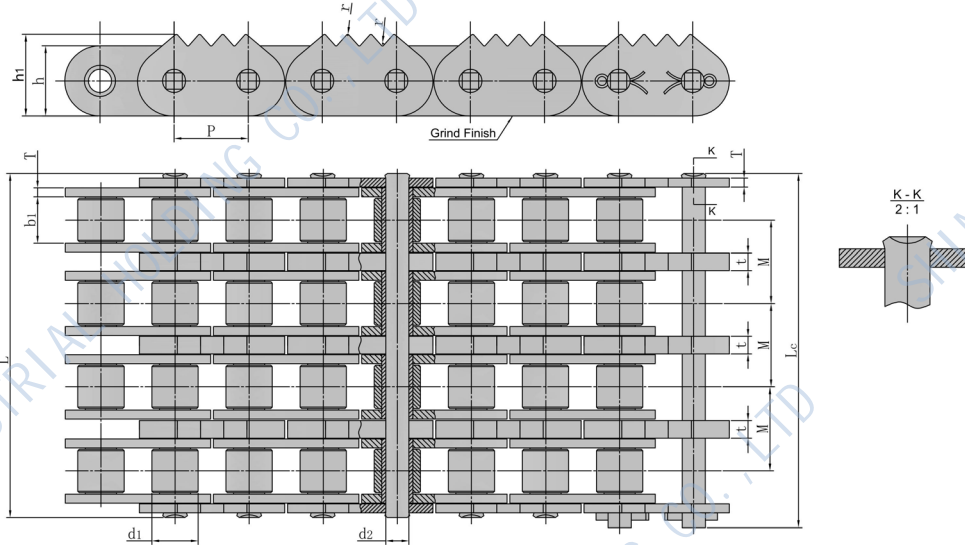


Chain No.	Pitch	Roller Diameter	Width Between Inner Plates	Pin Diameter	Pin Length		Plate Depth	Plate Thickness	Row Spacing	Radian	Broken Load
	P	d1 max	b1 min	d2 max	L max	Lc max	h max	T max	M	r	Q min
	mm	mm	mm	mm	mm	mm	mm	mm	mm	mm	kN/lbf
SH80H/2-5T	25.4	15.88	15.75	7.92	68.8	71.29	29.36	4.0	29.29	0.5	114/25471

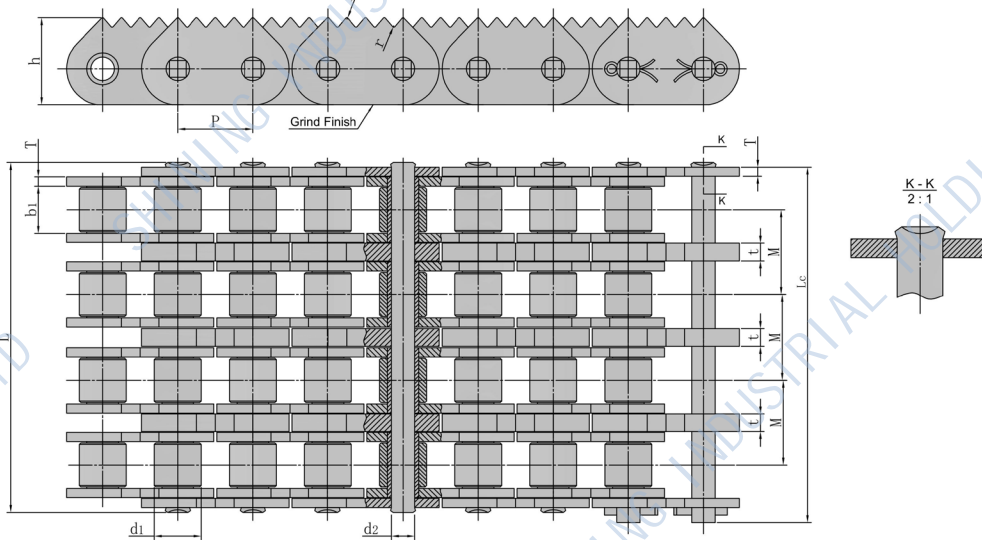


Chain No.	Pitch	Roller Diameter	Width Between Inner Plates	Pin Diameter	Pin Length		Plate Depth		Plate Thickness		Row Spacing	Radian	Broken Load
	P	d1 max	b1 min	d2 max	L max	Lc max	h max	h1 max	T max	t max	M	r	Q min
	mm	mm	mm	mm	mm	mm	mm	mm	mm	mm	mm	mm	kN/lbf
SH80/3-4T	25.4	15.88	15.75	7.92	91.6	94.2	24.12	28.06	3.2	6.45	29.29	0.5	167/37313

### 1.1.9 SHARP TOP CHAIN

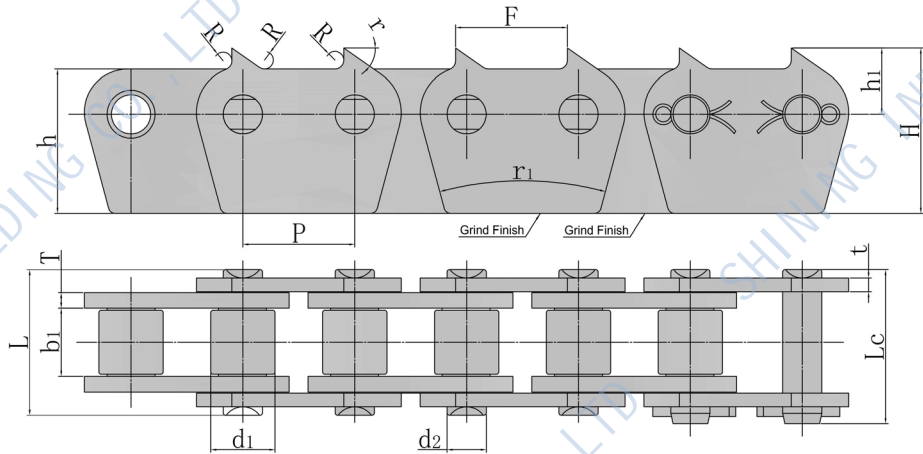


Chain No.	Pitch	Roller Diameter	Width Between Inner Plates	Pin Diameter	Pin Length		Plate Depth		Plate Thickness		Row Spacing	Radian	Broken Load
	P	d1 max	b1 min	d2 max	L max	Lc max	h max	h1 max	T max	t max	M	r	Q min
	mm	mm	mm	mm	mm	mm	mm	mm	mm	mm	mm	mm	kN/lbf
SH80/4-4T	25.4	15.88	15.75	7.92	120.8	123.5	24.12	28.06	3.2	6.45	29.29	0.5	223/49825



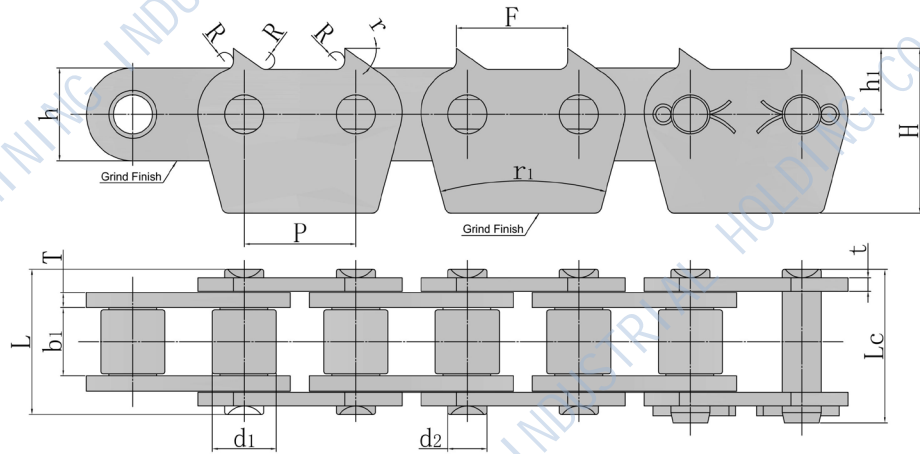
Chain No.	Pitch	Roller Diameter	Width Between Inner Plates	Pin Diameter	Pin Length		Plate Depth	Plate Thickness		Row Spacing	Radian	Broken Load
	P	d1 max	b1 min	d2 max	L max	Lc max	h max	T max	t max	M	r	Q min
	mm	mm	mm	mm	mm	mm	mm	mm	mm	mm	mm	kN/lbf
SH80/4-5T	25.4	15.88	15.75	7.92	120.8	123.5	29.36	3.2	6.45	29.29	0.5	227/50718

## 1.1.9 SHARP TOP CHAIN



Chain No.	R	r	r1
	mm	-	-
SH32B-H	4.0	35°	30°

Chain No.	Pitch	Roller Diameter	Width Between Inner Plates	Pin Diameter	Pin Length		Plate Depth			Plate Thickness		Distance Between Teeth	Broken Load
	P	d1 max	b1 min	d2 max	L max	Lc max	h max	H max	h1 max	T max	t max	F min	Q min
	mm	mm	mm	mm	mm	mm	mm	mm	mm	mm	mm	mm	kN/lbf
SH32B-H	50.8	29.2	31.0	17.8	66.0	69.9	65.5	75.0	30.0	6.2	7.0	50.8	250/55857



Chain No.	R	r	r1
	mm	-	-
SH32B-S	4.0	35°	30°

Chain No.	Pitch	Roller Diameter	Width Between Inner Plates	Pin Diameter	Pin Length		Plate Depth			Plate Thickness		Distance Between Teeth	Broken Load
	P	d1 max	b1 min	d2 max	L max	Lc max	h max	H max	h1 max	T max	t max	F min	Q min
	mm	mm	mm	mm	mm	mm	mm	mm	mm	mm	mm	mm	kN/lbf
SH32B-S	50.8	29.2	31.0	17.8	66.0	69.9	43.0	75.0	30.0	6.2	7.0	50.8	250/55857