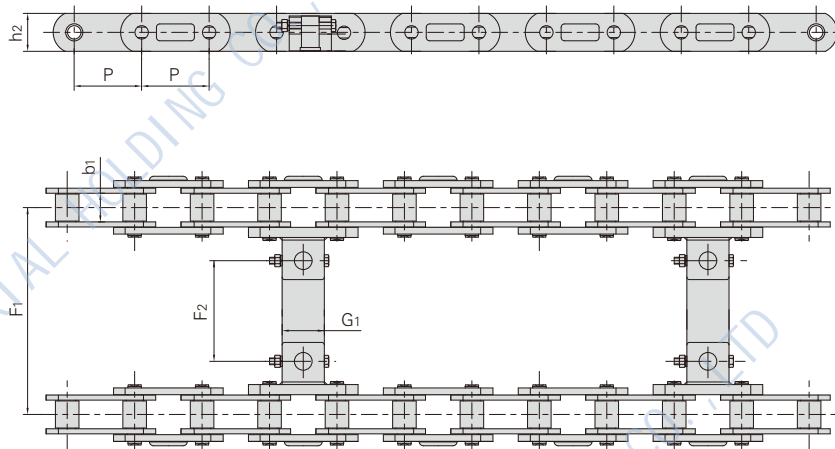
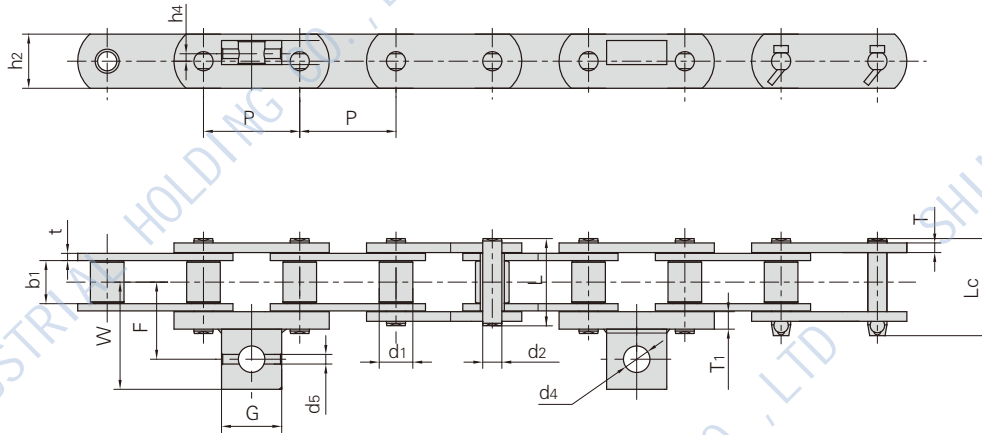


1.2.4 CONSTRUCTION MACHINERY CHAIN



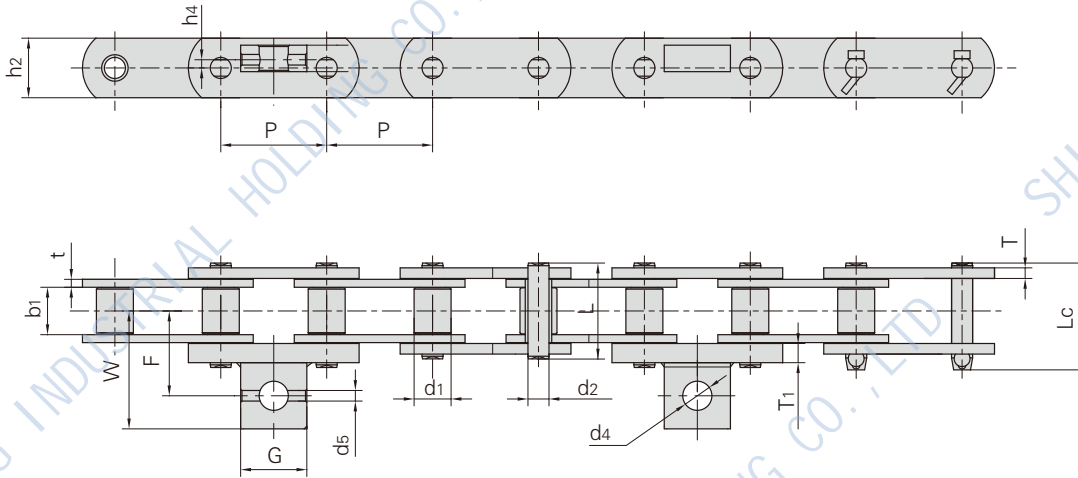
Chain No.	P	b1	h2	F1	F2	G1
	mm	mm	mm	mm	mm	mm
P80	80.0	33.8	45.0	575.0	449.0	50.0
P80	80.0	35.3	45.0	575.0	442.4	50.0
P80	80.0	35.3	46.0	497.4	385.0	50.0
P80	80.0	33.8	45.0	509.5	396.5	50.0
P80	80.0	35.0	45.0	540.0	425.0	50.0
P80	80.0	33.8	45.0	500.0	374.0	50.0
P80	80.0	33.8	45.0	561.0	448.0	50.0
P80	80.0	33.8	45.0	585.0	472.0	50.0
P80	80.0	33.8	45.0	584.0	471.5	50.0

1.2.4 CONSTRUCTION MACHINERY CHAIN



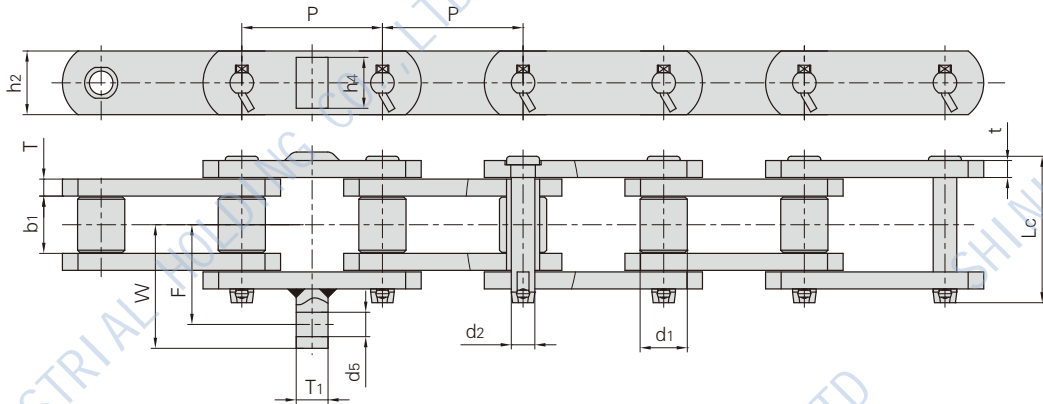
Chain No.	Pitch	Roller Diameter	Width Between Inner Plates	Pin Diameter	Pin Length		Plate Depth	Plate Thickness	Tensile Strength	Weight Per Meter
	P	d1 max	b1 min	d2 max	L max	Lc max	h2 max	t/T max	Q min	q
	mm	mm	mm	mm	mm	mm	mm	mm	kN/lbf	Kg/m
P70	70.00	25.40	25.2	14.61	53.4	59.7	32.00	5.6/5.0	120.0/26976	5.99
P70	70.00	30.00	32.0	15.00	60.0	65.5	40.00	6.0/4.0	112.0/25178	9.50
P75	75.00	15.00	18.0	9.80	39.5	44.3	25.00	4.0	48.0/10790	2.60
P78.11	78.11	31.75	38.1	16.00	-	88.6	38.10	8.0	169.0/37991	10.56
P80	80.00	35.76	35.3	18.00	72.0	76.7	46.00	7.0/6.2	95.0/21370	11.91
P80	80.00	27.94	33.8	15.90	68.4	76.0	44.45	6.0/8.0	190.0/42741	10.80
P80	80.00	36.00	35.3	18.00	81.0	81.5	45.00	6.0/5.0	195.0/43866	12.90
P80	80.00	27.94	33.8	15.90	68.4	75.8	45.00	6.0/8.0	190.0/42741	11.20
P80	80.00	27.94	34.0	15.90	78.4	-	45.00	6.0/8.0	190.0/42741	10.70
P80	80.00	26.00	35.3	18.00	72.0	76.7	46.00	7.0/6.2	195.0/43866	9.55
P80	80.00	27.94	33.8	15.90	70.4	74.0	45.00	6.0/8.0	190.0/42741	10.80
P80	80.00	26.00	35.0	18.00	72.0	75.8	45.00	6.0/8.0	195.0/43836	10.50
P80	80.00	27.95	33.8	15.87	68.4	75.8	45.00	6.0/8.1	190.0/42712	10.70
P80	80.00	32.00	35.0	15.90	70.6	78.0	45.00	6.0/8.0	190.0/42741	10.94
P80	80.00	26.00	35.0	15.90	69.5	77.0	45.00	6.0/8.0	175.0/39340	10.42
P80	80.00	27.95	33.8	15.87	67.4	75.8	45.00	6.0/8.1	190.0/42712	10.60
P80	80.00	26.00	35.0	18.00	72.0	78.0	45.00	6.0/8.0	195.0/43836	10.50
P80	80.00	36.00	35.3	18.00	84.0	88.5	45.00	10.0	250.0/56200	15.20

1.2.4 CONSTRUCTION MACHINERY CHAIN



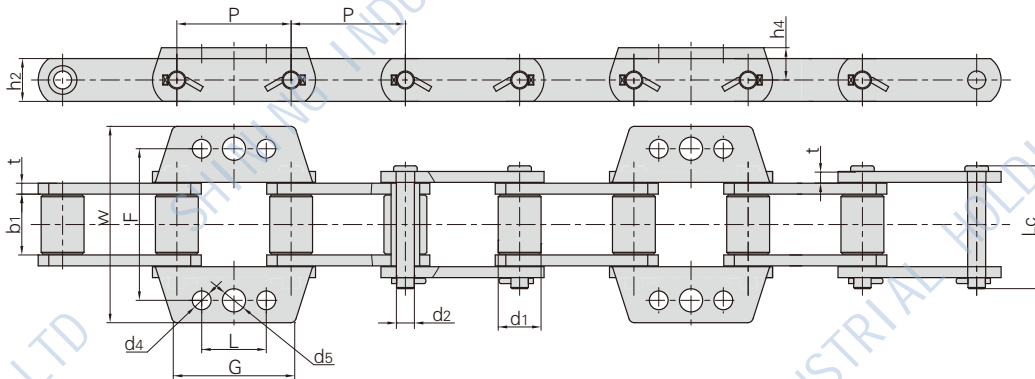
Chain No.	F	W	G	h4	d4	d5	T1
	mm	mm	mm	mm	mm	mm	mm
P70	43.75	64.1	40.0	6.5	22.0	7.0	5.00
P70	60.00	77.4	30.0	7.5	15.0	-	10.00
P75	32.20	46.2	30.0	5.2	14.0	-	4.00
P78.11	53.10	78.5	50.8	12.7	19.3	-	7.95
P80	56.40	81.4	50.5	5.0	21.0	8.2	6.20
P80	63.00	88.0	50.0	8.0	22.0	10.2	14.20
P80	66.30	91.3	50.0	-	24.0	-	15.00
P80	66.50	81.5	50.0	6.2	22.0	8.0	8.00
P80	57.00	82.0	50.0	-	21.0	-	8.00
P80	56.20	81.5	50.0	-	21.0	-	6.20
P80	56.50	81.5	50.0	6.2	22.0	10.0	8.00
P80	57.00	82.2	50.5	5.0	21.0	-	8.00
P80	56.50	81.5	50.0	6.2	22.0	8.0	8.00
P80	57.50	80.0	50.0	-	25.0	-	8.00
P80	57.00	82.0	50.0	-	20.5	-	8.00
P80	56.50	81.5	50.0	6.5	22.0	8.6	8.00
P80	56.50	82.2	50.5	5.5	20.5	-	8.00
P80	58.50	72.4	48.0	-	12.0	-	10.00

1.2.4 CONSTRUCTION MACHINERY CHAIN



Chain No.	Pitch	Roller Diameter	Width Between Inner Plates	Pin Diameter	Pin Length	Inner Plate Depth	Plate Thickness	Tensile Strength	Weight Per Meter
	P	d1 (max)	b1 (min)	d2 (max)	L (max)	h2	t/T	Q (min)	q
	mm	mm	mm	mm	mm	mm	mm	kN/lbf	kg/m
P66.27	66.27	22.23	27.00	11.10	69.00	30.00	8.00	90.0/20232	6.96

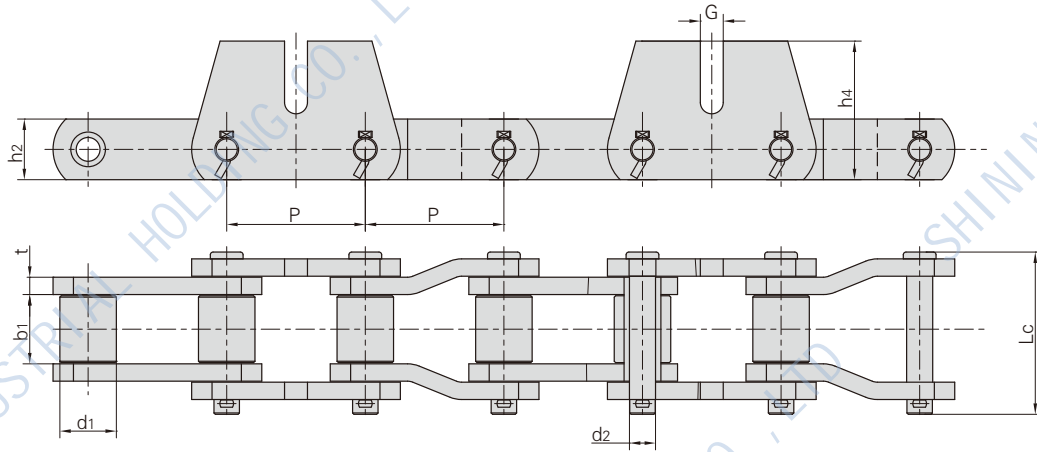
Chain No.	F	W	h4	d5	T1
	mm	mm	mm	mm	mm
P66.27	47.00	58.50	24.00	11.50	15.00



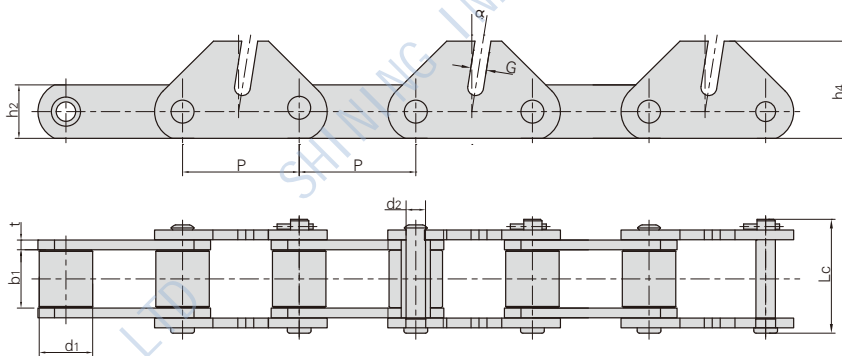
Chain No.	Pitch	Roller Diameter	Width Between Inner Plates	Pin Diameter	Pin Length	Inner Plate Depth	Plate Thickness	Tensile Strength	Weight Per Meter
	P	d1 (max)	b1 (min)	d2 (max)	Lc (max)	h2 (max)	t	Q (min)	q
	mm	mm	mm	mm	mm	mm	mm	kN/lbf	kg/m
P101.6	101.60	38.10	54.10	16.00	109.20	44.45	9.70	182.3/40981	14.45

Chain No.	F	W	L	h4	d4	d5	G
	mm	mm	mm	mm	mm	mm	mm
P101.6	134.80	174.60	57.40	28.70	16.70	20.60	108.00

1.2.4 CONSTRUCTION MACHINERY CHAIN

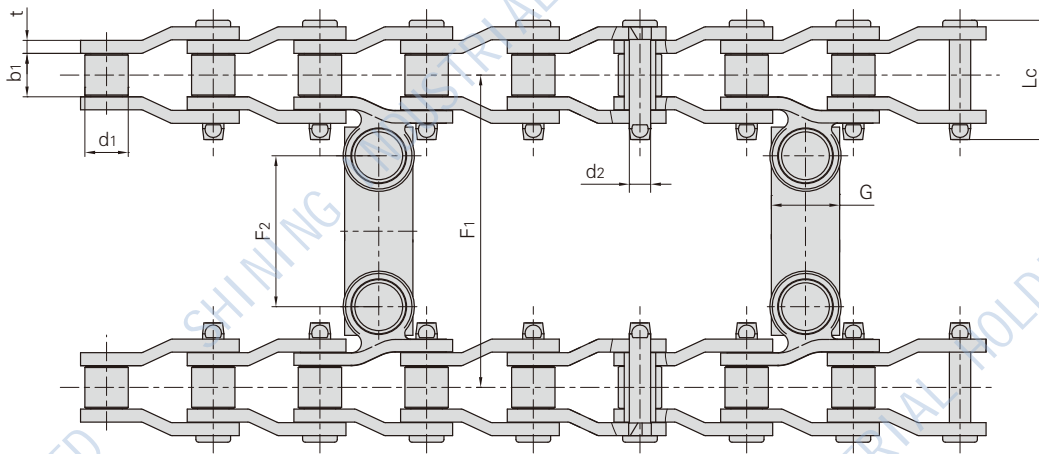
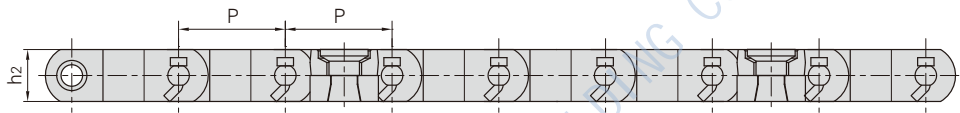
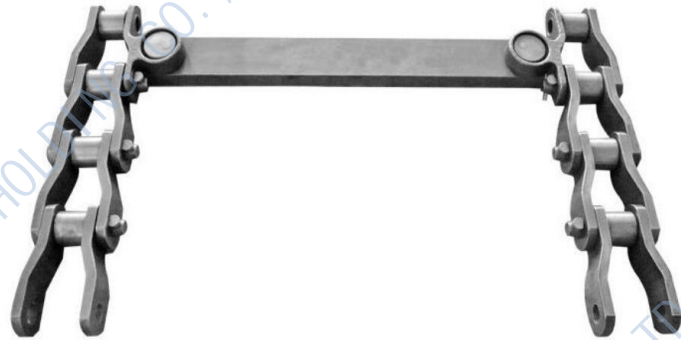


Chain No.	Pitch	Roller Diameter	Width Between Inner Plates	Pin Diameter	Pin Length	Inner Plate Depth	Plate Thickness	Attachment Dimension			Tensile Strength	Weight Per Meter
	P	d1 (max)	b1 (min)	d2 (max)	Lc (max)	h2 (max)	t	h4	G	Q (min)	q	
	mm	mm	mm	mm	mm	mm	mm	mm	mm	kN/lbf	kg/m	
P101.6	101.6	41.4	50.8	19.12	120.0	44.45	12.7	101.6	16.80	320/71936	22.5	



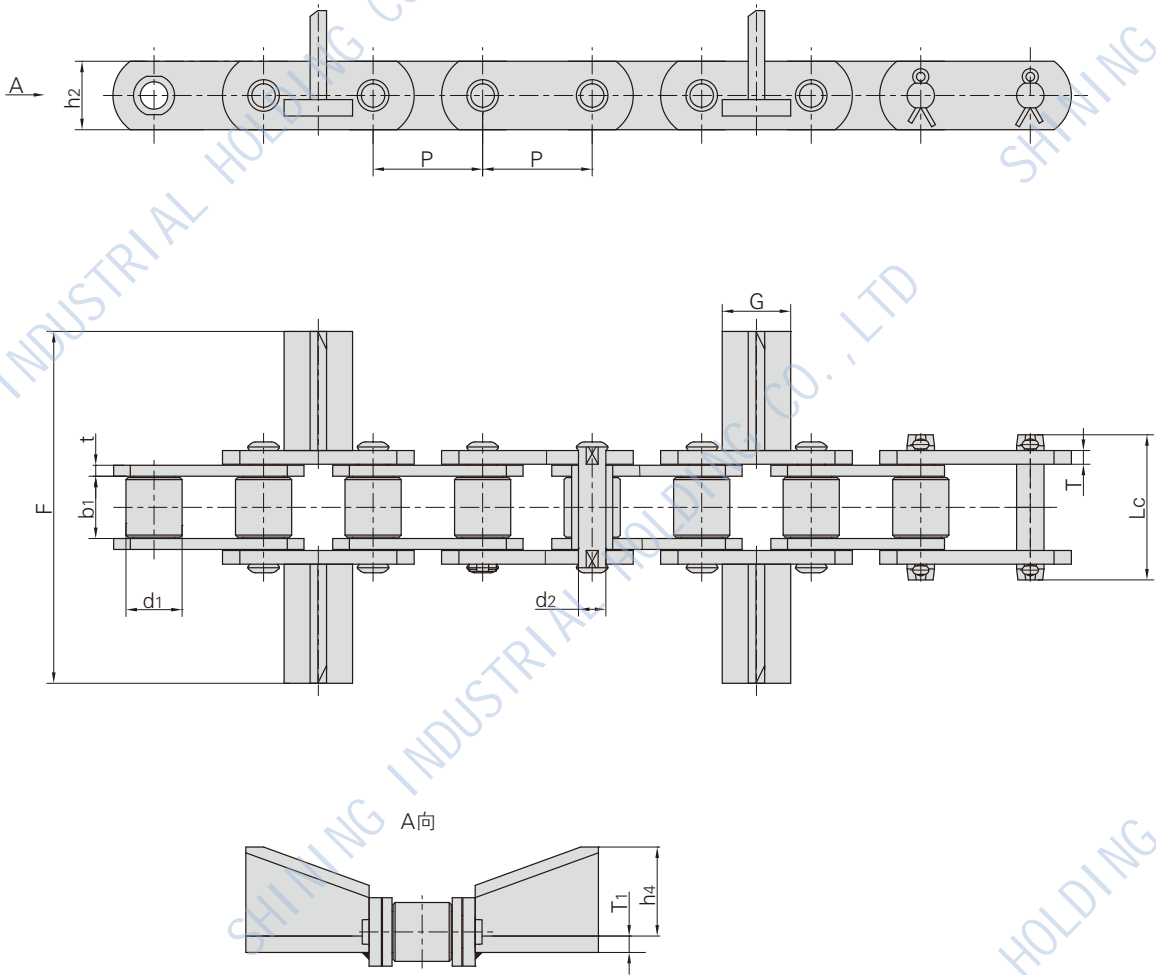
Chain No.	Pitch	Roller Diameter	Width Between Inner Plates	Pin Diameter	Pin Length	Inner Plate Depth	Plate Thickness	Attachment Dimension			Tensile Strength	Weight Per Meter
	P	d1 (max)	b1 (min)	d2 (max)	Lc (max)	h2 (max)	t	h4	G	α	Q (min)	q
	mm	mm	mm	mm	mm	mm	mm	mm	mm	-	kN/lbf	kg/m
P152.4	152.4	69.85	76.2	25.4	148.8	69.85	12.7	127	20.6	9°	431.5/97001	29.4

1.2.4 CONSTRUCTION MACHINERY CHAIN



Chain No.	Pitch	Roller Diameter	Width Between Inner Plates	Pin Diameter	Pin Length	Inner Plate Depth	Plate Thickness	Attachment Dimension			Tensile Strength	Weight Per Meter
	P	d1 (max)	b1 (min)	d2 (max)	Lc (max)	h2 (max)	t	F1	F2	G	Q (min)	q
	mm	mm	mm	mm	mm	mm	mm	mm	mm	mm	kN/lbf	kg/m
P78.105	78.105	31.78	31.75	15.9	89.15	38.0	9.50	-	-	-	225/50818	12.03
P78.13	78.13	31.75	31.75	15.7	87.35	38.1	9.52	543	424.66	50	225/50580	35.00

1.2.4 CONSTRUCTION MACHINERY CHAIN



Chain No.	Pitch	Roller Diameter	Width Between Inner Plates	Pin Diameter	Pin Length	Inner Plate Depth	Plate Thickness	Attachment Dimension				Tensile Strength	Weight Per Meter
	P	d1 max	b1 min	d2 max	Lc max	h2 max	t/T	F	T1	h4	G	Q min	q
	mm	mm	mm	mm	mm	mm	mm	mm	mm	mm	mm	kN/lbf	kg/m
P80	80.0	42.0	45.0	20.0	94.0	50.0	8.0/10.0	259	12	65	50	180/40464	23.1