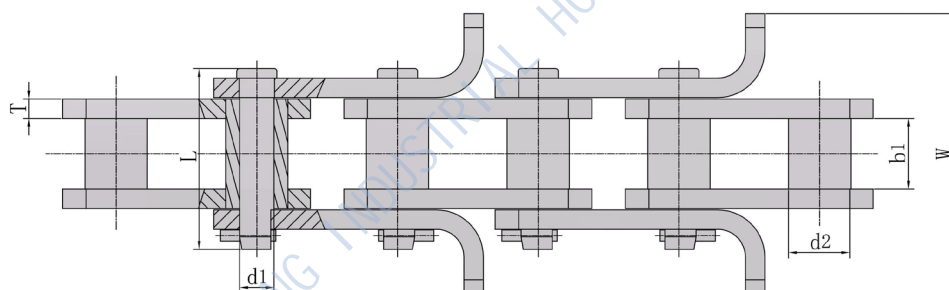
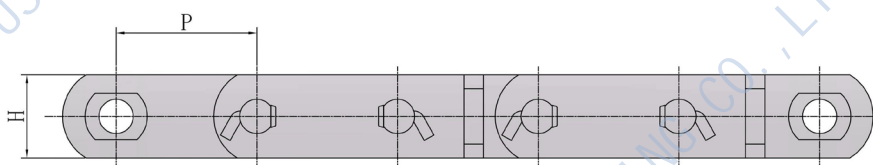
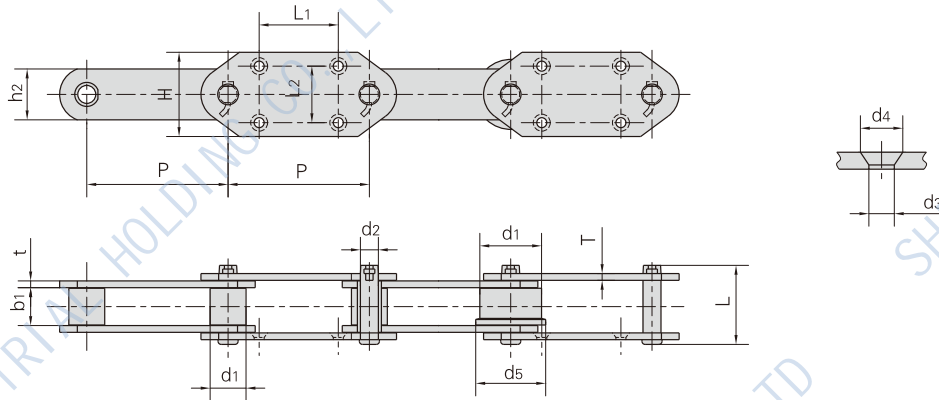


1.2.7 MINING CHAIN



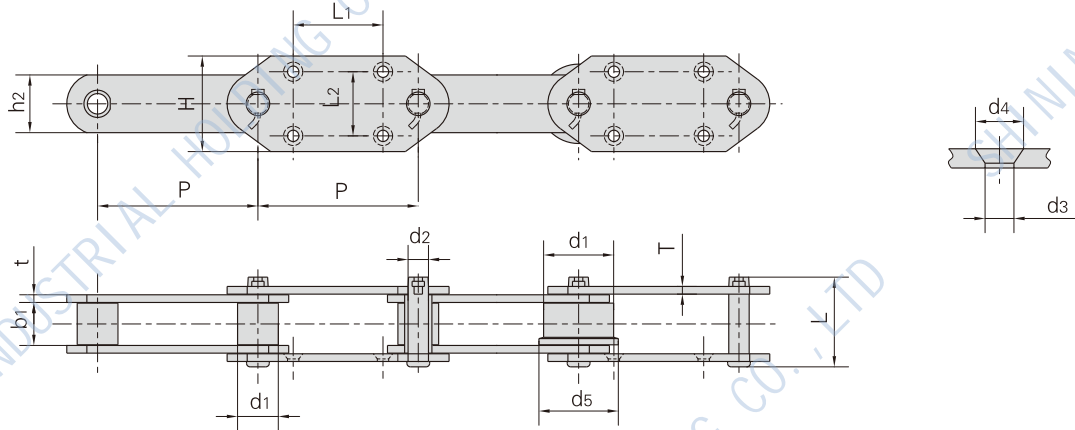
Chain No.	Pitch	Bush Diameter	Width Between Inner Plates	Pin Diameter	Pin Length	Plate Depth	Plate Thickness	Bending Length	Tensile Strength
	P	d2 (max)	b1 (min)	d1 (max)	L (max)	H	T (max)	W	Q
	mm	mm	mm	mm	mm	mm	mm	mm	kN/lbf
P101.6-W202	101.6	45	51	24.8	130.5	60	14	202	500/112404

1.2.7 MINING CHAIN



Chain No.	Pitch	Roller Diameter		Width Between Inner Plates	Pin Diameter	Pin Length	Plate Depth	Plate Thickness	Tensile Strength	Average Tensile Strength	Weight Per Meter
	P	d1 max	d5	b1 min	d2 max	L max	h2 max	t/T max	Q min	Qo	q
	mm	mm		mm	mm	mm	mm	mm	kN/lbf	kN	Kg/m
P95	95.0	50.8	58.0	30.0	13.50	70.0	38.0	6.0	75.0/16871	82.5	9.93
P100-G4	100.0	40.0	-	22.0	11.30	53.5	32.0	4.5	69.0/15511	75.9	5.00
P100-G4	100.0	48.5	-	57.6	24.40	120.0	75.0	10.0	550.0/123640	605.0	31.10
P125-G41	125.0	63.5	-	57.4	32.00	141.0	90.0	12.0	750.0/168600	825.0	47.00
P125-G41	125.0	70.0	-	75.0	36.00	168.0	100.0	16.0	1000.0/224800	1100.0	68.60
P150-G4	150.0	78.0	-	80.0	39.00	172.0	120.0	16.0	1350.0/303480	1485.0	78.90
P150	150.0	50.0	60.0	30.0	14.50	69.0	38.1	8.0/6.3	200.0/44992	220.0	8.64
P150	150.0	54.0	-	40.0	27.00	112.0	68.5	1.0	600.0/67487	680.0	25.70
P150-G4	150.0	29.0	-	30.0	14.50	69.0	38.1	6.3	200.0/44960	220.0	16.70
P152	152.4	38.1	-	36.0	15.50	90.0	50.0	8.0	150.0/33743	165.0	11.91
P152-G4	152.4	36.0	-	36.5	18.00	87.0	50.0	8.0	280.0/62944	308.0	12.10
P200-G4	200.0	44.5	-	51.4	19.10	120.0	60.0	10.0	245.0/55114	269.5	17.60
P200-G4	200.0	44.5	-	51.4	19.10	109.5	50.8	9.5	213.0/47916	243.0	15.10
P200-G4	200.0	50.8	-	56.6	24.00	120.0	70.0	9.5	450.0/101164	490.0	19.40
P200-G4	200.0	44.5	-	51.8	19.10	113.0	60.0	10.0	321.0/72164	353.1	17.80
P250	250.0	63.5	-	67.0	31.80	146.0	90.0	12.0	900.0/101230	495.0	31.70
P250	250.0	80.0	-	51.4	19.10	109.5	50.8	9.5	329.0/73962	378.0	19.79
P250	250.0	100.0	125.0	79.0	22.00	120.0	64.0	10.0	320.0/71939	368.0	29.80
P250-G4	250.0	80.0	-	51.4	22.00	109.0	50.8	9.5	329.0/73959	361.9	19.60
P250-G4	250.0	80.0	105.0	51.5	19.10	110.0	50.0	9.0	356.4/80119	392.0	18.30
P250	250.0	70.0	-	76.0	35.00	165.0	100.0	16.0	1100.0/247280	1210.0	44.10
P300	300.0	70.0	-	75.0	35.00	174.0	100.0	16.0	1065.0/239580	1118.0	47.47
P350-G4	350.0	85.0	-	85.0	41.75	189.5	115.0	16.0	1200.0/269772	1372.0	48.43

1.2.7 MINING CHAIN

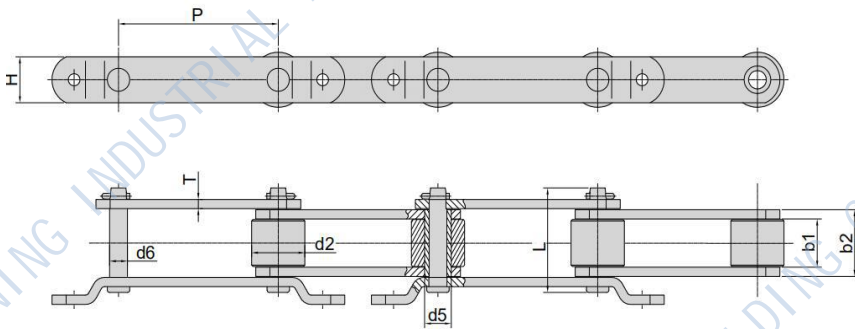
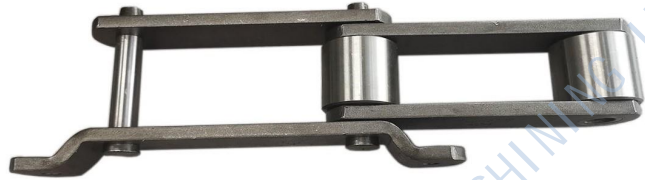


Chain No.	P	H	L1	L2	d3	d4
	mm	mm	mm	mm	mm	mm
P95	95.0	95.0	50.0	70.0	12.0	21.0
P100-G4	100.0	80.0	50.0	50.0	10.0	15.0
P100-G4	100.0	75.0	100.0	106.0	18.0	30.0
P125-G4	125.0	180.0	125.0	130.0	18.0	33.0
P150	150.0	100.0	75.0	70.0	11.0	20.0
P150	150.0	110.0	75.0	75.0	12.0	22.0
P150-G4	150.0	120.0	150.0	170.0	22.0	38.0
P150-G4	150.0	110.0	75.0	70.0	11.0	20.0
P152	152.4	110.0	75.0	70.0	14.5	25.0
P152-G4	152.4	110.0	75.0	70.0	14.0	27.0
P200-G4	200.0	125.0	100.0	80.0	18.0	33.0
P200-G4	200.0	120.0	100.0	80.0	15.0	26.0
P200-G4	200.0	130.0	100.0	80.0	18.0	31.0
P200-G4	200.0	125.0	100.0	80.0	18.0	30.0
P250	250.0	150.0	140.0	100.0	17.7	30.0
P250	250.0	150.0	140.0	100.0	15.0	26.0
P250	250.0	150.0	110.0	100.0	18.0	-
P250-G4	250.0	150.0	140.0	100.0	15.0	26.0
P250-G4	250.0	125.0	150.0	80.0	14.0	27.0
P250	250.0	151.0	140.0	110.0	18.0	30.0
P300	300.0	180.0	170.0	120.0	22.0	39.0
P350-G4	350.0	210.0	225.0	140.0	26.0	42.2

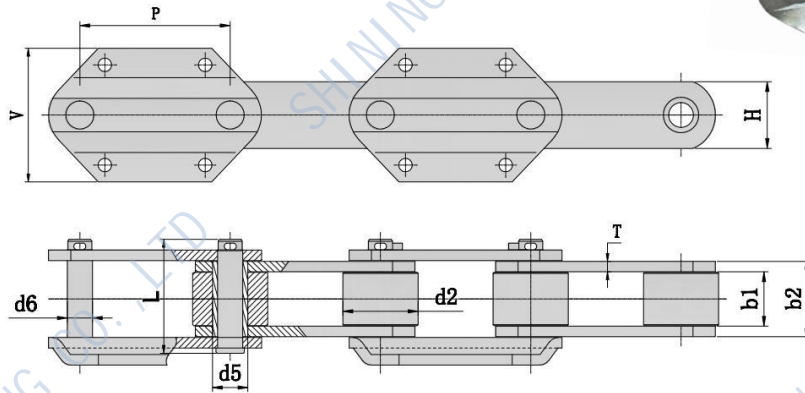


1.2.7 MINING CHAIN

G5 Attachment

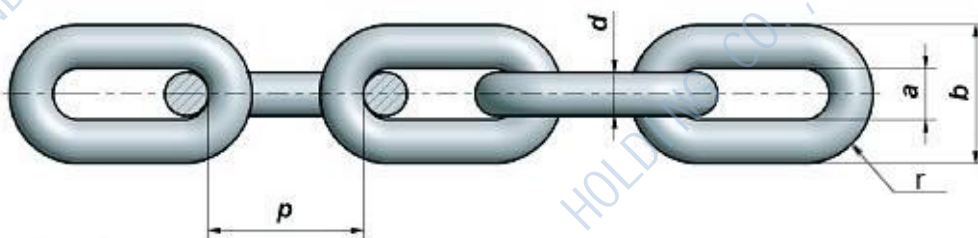
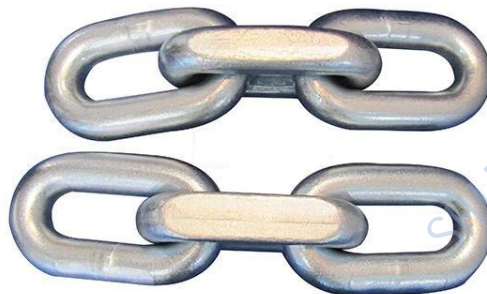


G6 Attachment



Chain No.	P	L	b1	b2	d2	d5	d6	T	H	V	Q
	mm	mm	mm	mm	mm	mm	mm	mm	mm	mm	kN/lbf
4004-G5	228.6	144.5	66.8	92.2	76.2	38.1	25.4	12.7	63.5	-	445/100036
4065-G5	228.6	156.5	77.7	109.5	107.95	50.8	31.75	16.0	88.9	-	1010/227048
4037-G6	228.6	172.5	82.6	114.7	114.3	53.84	38.1	15.9	101.6	203.2	1180/265264

1.2.7 MINING CHAIN



Chain Diameter		Pitch		Width		Curve Radius		Weight
d (mm)		P (mm)		Inside Min (a)	Outside Max (b)	r (mm)		Kg/m
14	±0.4	64	±0.5	17	48	22	±2.0	4.0
18	±0.5	64	±0.6	21	60	28	±2.0	6.6
22	±0.7	86	±0.9	26	74	34	±2.0	9.5
24	±0.8	86	±0.9	28	79	37	±2.0	11.6
26	±0.8	92	±0.9	30	86	40	±2.0	13.7
30	±0.9	108	±1.0	34	98	46	±2.0	18.2

Chain Diameter	Proof Load		Breaking Load (min)	
	KN		Grade B	Grade C
14×50	150	200	200	250
18×64	260	330	330	410
22×86	380	490	490	610
24×86	460	580	580	720
26×92	540	680	680	850
30×108	710	900	900	1130

1.2.7 MINING CHAIN



Arc-tooth connecting ring



Serrated connection ring



Vertical connecting ring



Flat connection ring



Open ended connecting ring

