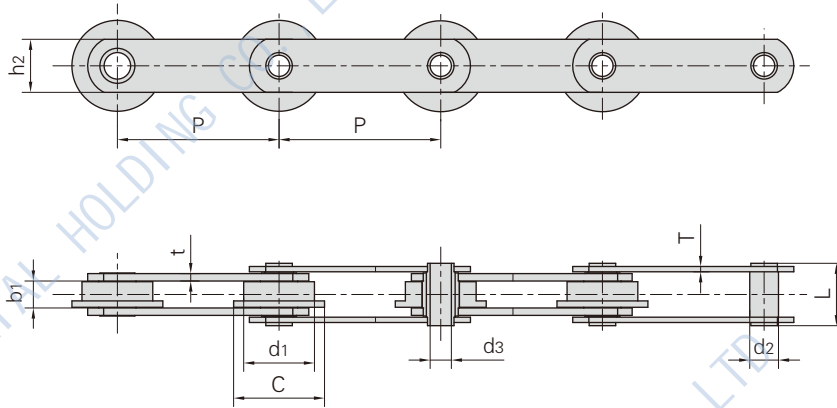
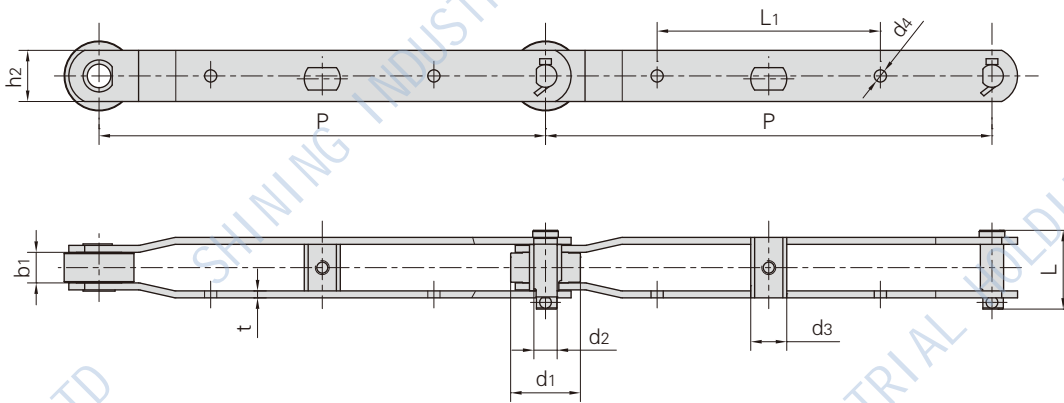


1.2.8 WASTE WATER CHAIN

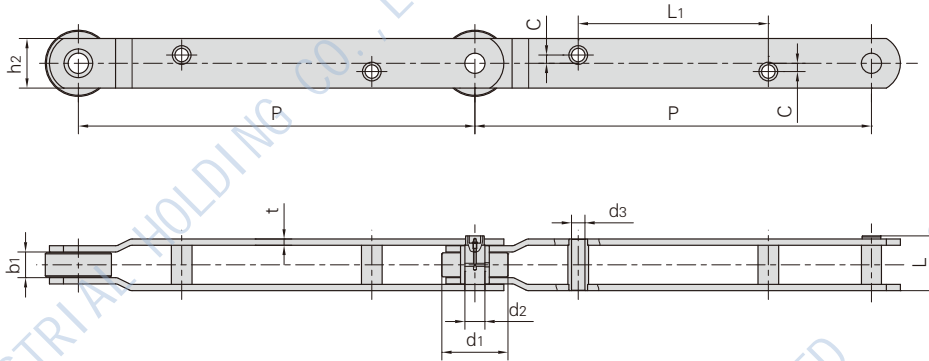


Chain No.	Pitch	Width Between Inner Plates	Roller Diameter		Pin Diameter		Pin Length	Plate Depth	Plate Thickness		Tensile Strength	Average Tensile Strength	Weight Per Meter
	P	b1 min	d1 max	C max	d2 max	d3 max	L max	h2 max	T max	t max	Q min	Q0	q
	mm	mm	mm	mm	mm	mm	mm	mm	mm	mm	kN/lbf	kN	Kg/m
W152	152.4	25.40	66.7	85.7	27.1	20.0	58.8	50.0	5.0	7.0	110.0/25000	122.1	10.78

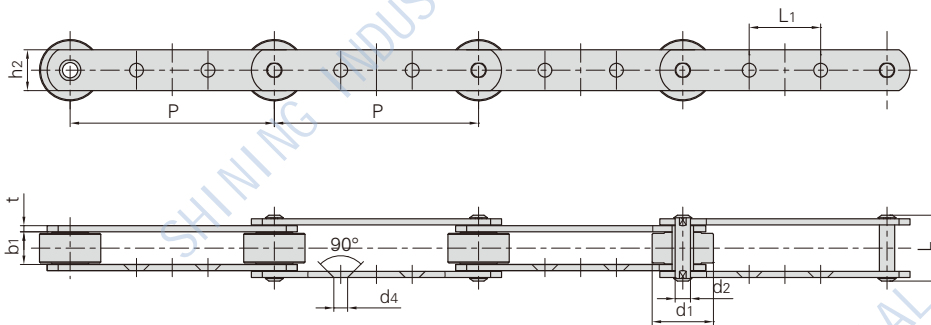


Chain No.	Pitch	Width Between Inner Plates	Roller Diameter	Pin Diameter			Plate Dimension				Tensile Strength	Weight Per Meter
	P	b1 min	d1 max	d2 max	d3 max	L max	h2	t	L1	d4	Q min	q
	mm	mm	mm	mm	mm	mm	mm	mm	mm	mm	kN/lbf	Kg/m
P609.6F1	609.60	41.65	95.25	31.75	49.20	107.80	69.85	9.50	304.80	16.66	230.0/51704	10.78

1.2.8 WASTE WATER CHAIN

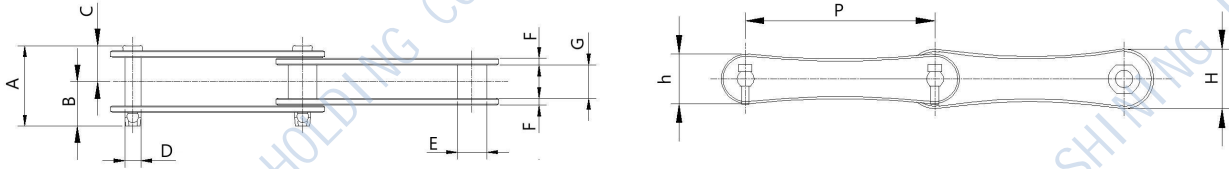


Chain No.	Pitch	Width Between Inner Plates	Roller Diameter	Pin Diameter			Plate Dimension				Tensile Strength	Weight Per Meter
	P	b1 min	d1 max	d2 max	d3 max	L max	h2	t	C	L1	Q min	q
	mm	mm	mm	mm	mm	mm	mm	mm	mm	mm	kN/lbf	Kg/m
P609.6F2	609.60	39.69	101.60	30.73	30.64	84.30	76.20	9.50	12.70	292.10	80.0/17984	17.35

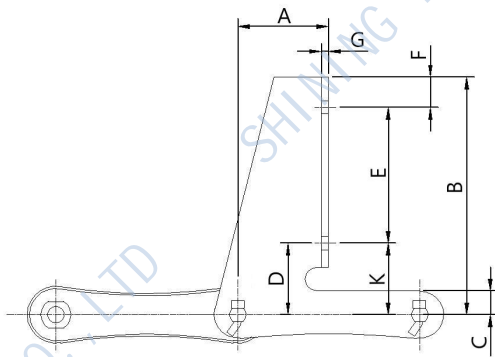
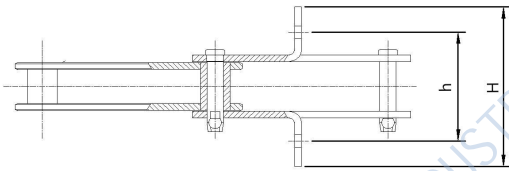


Chain No.	Pitch	Width Between Inner Plates	Roller Diameter	Pin Diameter			Plate Dimension				Tensile Strength	Weight Per Meter
	P	b1 min	d1 max	d2 max	L max	h2	t	C	L1	Q min	q	
	mm	mm	mm	mm	mm	mm	mm	mm	mm	kN/lbf	Kg/m	
M112GA2F2-PA6-200	200.00	32.00	60.00	15.00	64.50	40.00	6.00	70.00	13.50	112.0/25178	5.30	

1.2.8 WASTE WATER CHAIN

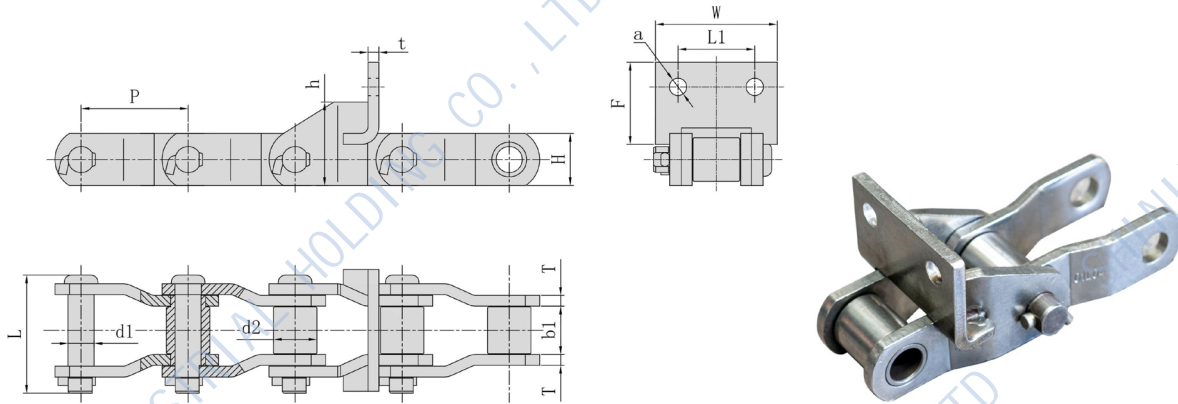


Chain No.	P	A	B	C	D	E	F	G	H	h
	mm	mm	mm	mm	mm	mm	mm	mm	mm	mm
SS700	152.4	72.2	39.7	32.5	14.5	26.0	6.0	30.1	48.0	40.0
SS701	148.4	65.5	28.0	29.8	11.5	22.4	4.8	32.2	40.0	31.0

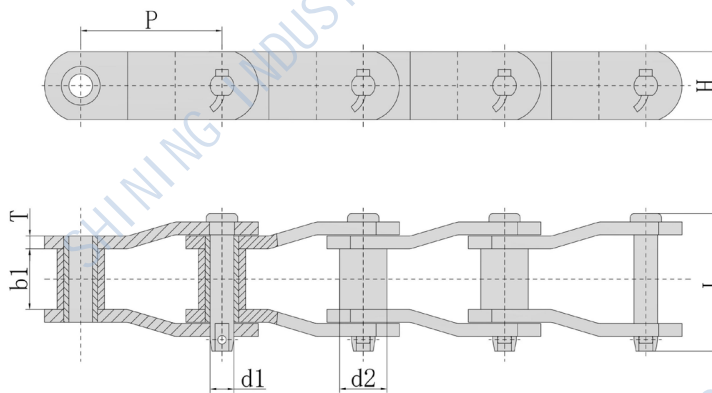


Chain No.	P	A	B	C	D	E	F	G	H	h
	mm	mm	mm	mm	mm	mm	mm	mm	mm	mm
SS700/F226	152.4	76.2	200.0	22.6	37.7	114.3	25.4	6.0	139.7	95.3
SS701/F226	148.4	74.0	210.0	25.4	51.6	114.3	18.7	4.8	139.7	95.3
SS700/F228	152.4	76.2	155.2	22.6	38.1	66.7	27.8	6.0	139.7	95.3
SS701/F228	148.4	74.0	165.1	25.4	41.7	66.7	31.3	4.8	139.7	95.3

1.2.8 WASTE WATER CHAIN

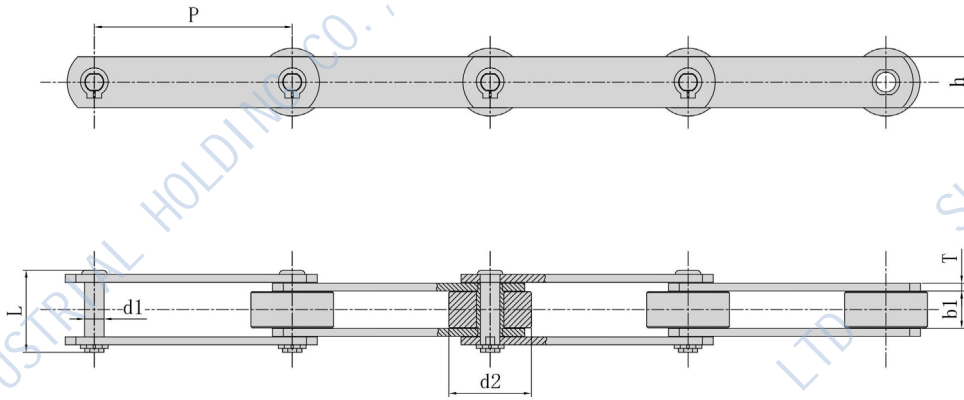


Chain No.	Pitch	Width Between Inner Plates	Bush Diameter	Pin Diameter		Plate Depth		Plate Thickness	F29 Attachment				Tensile Strength
	P	b1 min	d2 max	d1 max	L max	H	h	T	L1	t	F	W	Q
	mm	mm	mm	mm	mm	mm	mm	mm	mm	mm	mm	mm	kN/lbf
4103SS-F29	78.1	35.3	31.75	19.05	86.3	38.1	61	7.9	56	8	60	89	100.0/22480

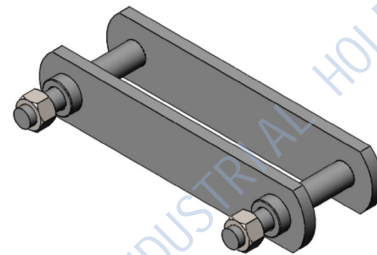
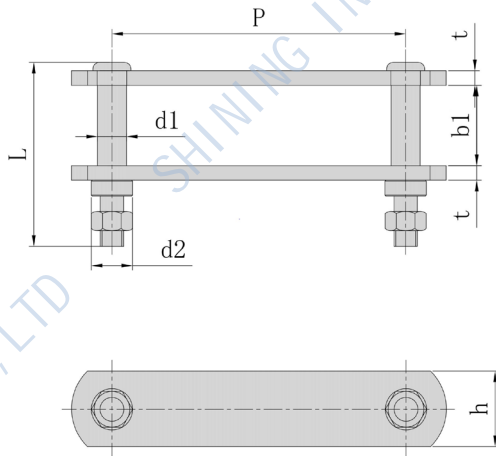


Chain No.	Pitch	Width Between Inner Plates	Roller Diameter	Pin Diameter		Plate Depth	Plate Thickness	Tensile Strength
	P	b1 min	d2 max	d1 max	L max	H	T	Q min
	mm	mm	mm	mm	mm	mm	mm	kN/lbf
78SS	66.27	28.4	22.23	11.11	64.5	31.8	6	90.0/20232

1.2.8 WASTE WATER CHAIN



Chain No.	Pitch	Width Between Inner Plates	Roller Diameter	Pin Diameter		Plate Depth	Plate Thickness	Tensile Strength
	P	b1 min	d2 max	d1 max	L max	h	T	Q
	mm	mm	mm	mm	mm	mm	mm	kN/lbf
P125	125.00	30.00	55.00	15.75	66.29	41.15	6.35	140.0/28325
P160	160.00	30.00	55.00	15.75	66.29	41.15	6.35	140.0/28325



Chain No.	P	b1	d1	d2	L	t	h
	mm	mm	mm	mm	mm	mm	mm
P125-CL	125.00	43.69	15.75	22.50	100.00	7.94	41.15
P160-CL	160.00	43.69	15.75	22.50	100.00	7.94	41.15